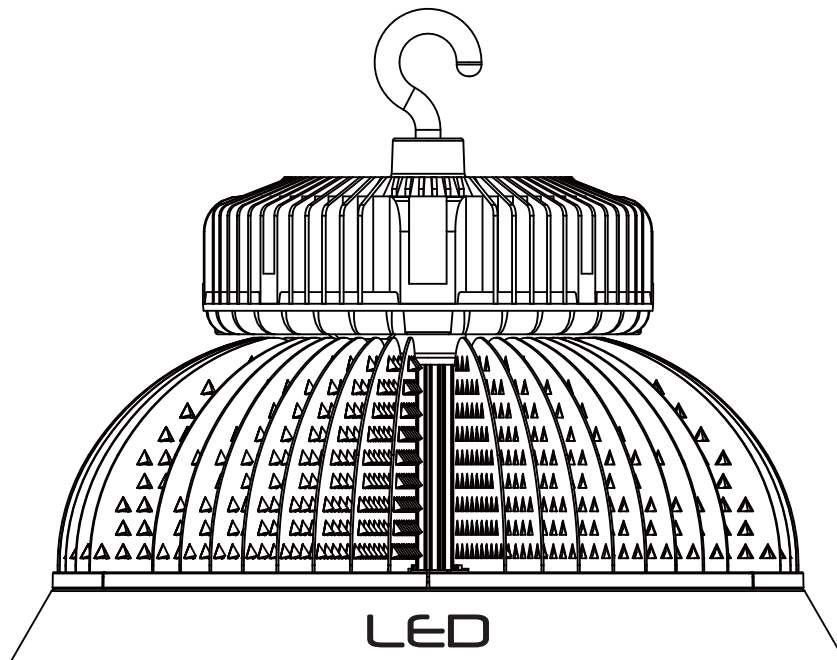


# APOLED 160/180/200/240W

## USER MANUAL



1. The luminaire shall be installed by a qualified electrician and wired in accordance with the latest IEE electrical regulations or the national requirements.
2. No supplied water-proof box, installation should be advised by qualified professional.
3. The external flexible cable can not be replaced. If the cable is damaged, the luminaire should be discarded.



English / **Deutsch** / Español / **Français**/ Italiano /

Read the safety instructions carefully before installing this product. / **Bitte lesen Sie diese Informationen sorgfältig bevor Sie mit der Installation dieses Produktes beginnen.** / Lea las instrucciones de seguridad antes de instalar este producto. / **Lisez les consignes de sécurité avant d'installer ce produit.** / Si prega di leggere attentamente queste informazioni prima di iniziare l'installazione di questo prodotto.



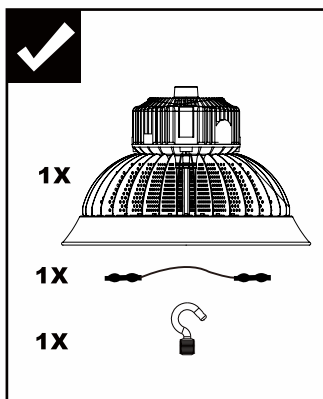
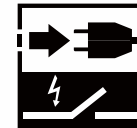
Great personal danger even death can result from misuse of this product. / **Große Gefahr, unter Umständen auch der Tod, können die Folge von Missbrauch dieses Produktes sein.** / Un gran peligro personal, incluso la muerte puede resultar de un mal uso de este producto. / **Un grand danger personnel, même la mort peuvent résulter d'une mauvaise utilisation de ce produit.** / Grande pericolo inclusa anche la morte possono essere conseguenza dell'utilizzo non corretto di questo prodotto.







Only professionals, certificate electricians should be employed for installation. / **Nur zertifizierte Elektroinstallateure sollten dieses Produkt installieren.** / Sólo los profesionales, los electricistas certificados deben emplearse para su instalación. / **Seulement les électriciens professionnels certifiés devraient installer ce produit.** / Esclusivamente elettricisti certificati dovrebbero installare questo prodotto.



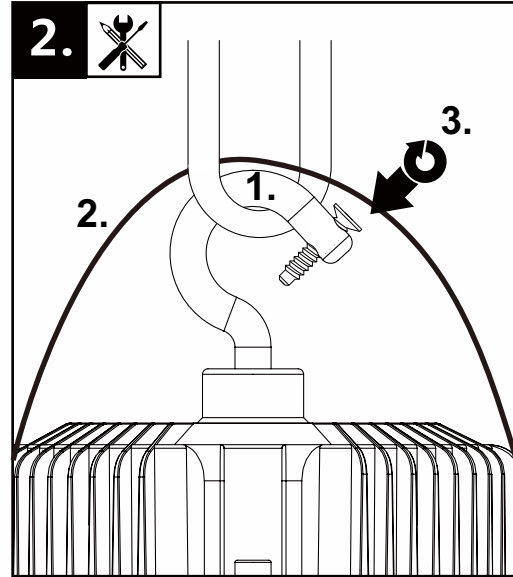
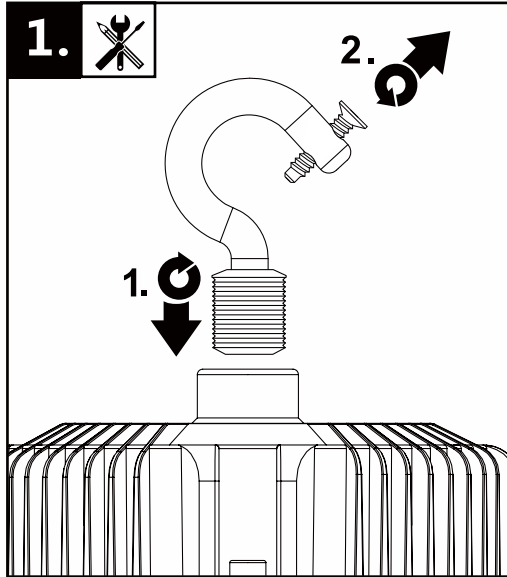
Switch off the electric power before starting the installation. / **Vor der Installation den Strom ausschalten.** / Antes de iniciar la instalación desconectar la alimentación eléctrica. / **Couper l'alimentation électrique avant l'installation.** / Prima dell'installazione spegnere la corrente.



	<b>APOLED</b>	<b>160/180/200/240W</b>
	<b>Volt</b>	100-260V, 50/60 Hz
	<b>Watt</b>	160/180/200/240W
		5.2~6.2KG
		-10°C...+50°C
		Analog 1-10V DC/ 0-100%/PWM



**IMG**  
L I G H T I N G



ON/OFF not dimmable



Dimmable



	EU	US
L	brown	black
N	blue	white
⊕ GND	yellow/green	green
	<del>                    </del>	<del>                    </del>
	<del>                    </del>	<del>                    </del>

	EU	US
L	brown	black
N	blue	white
⊕ GND	yellow/green	green
BLUE (+)		
WHITE (-)		

Connecting a 1-10V Dimmer to multiple fixtures:

