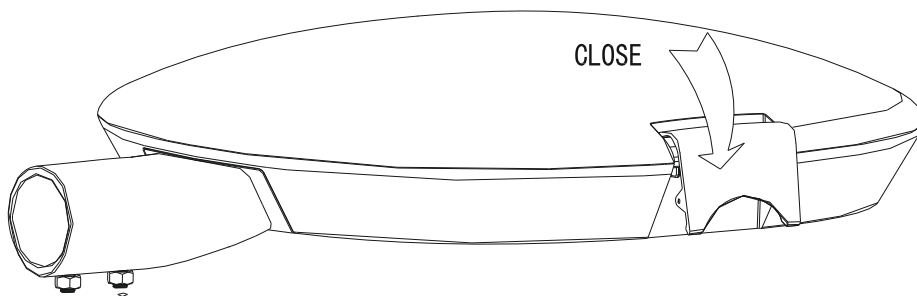


APOLLO S

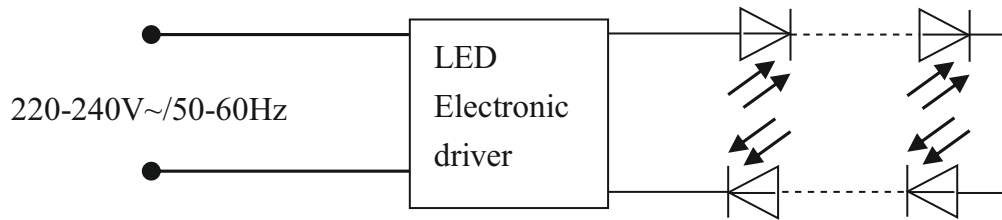
USER MANUAL



1. The luminaire shall be installed by a qualified electrician and wired in accordance with the latest IEE electrical regulations or the national requirements.
2. No supplied water-proof box, installation should be advised by qualified professional.
3. The external flexible cable can not be replaced. If the cable is damaged, the luminaire should be discarded.

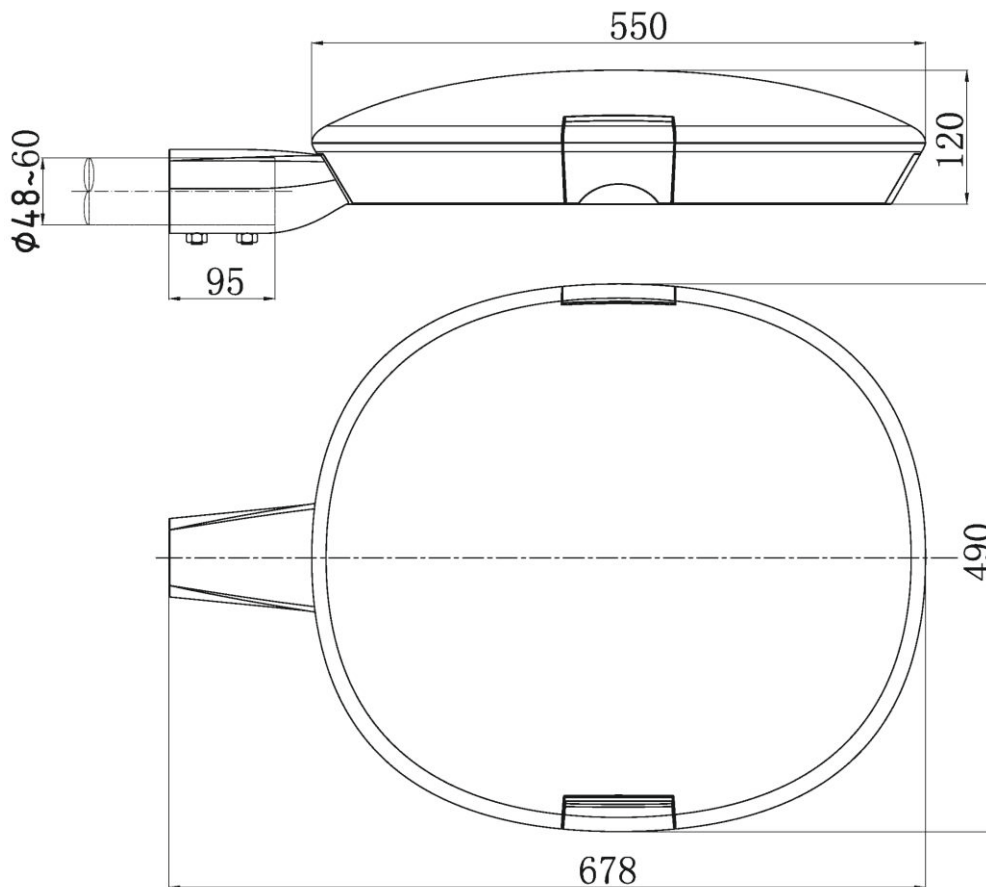


Electrical schematic



Product dimensions

Type A

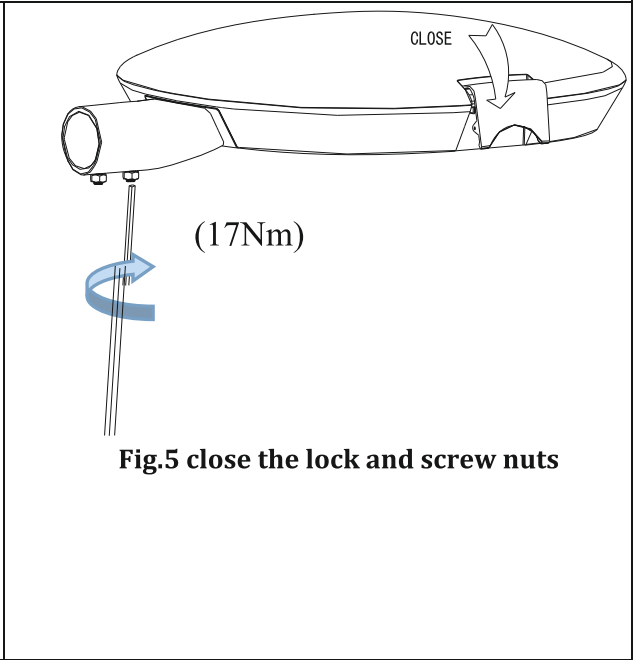
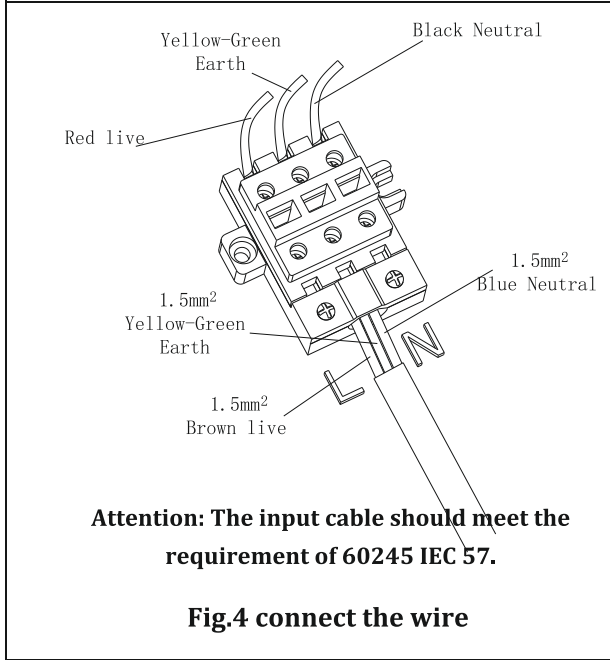
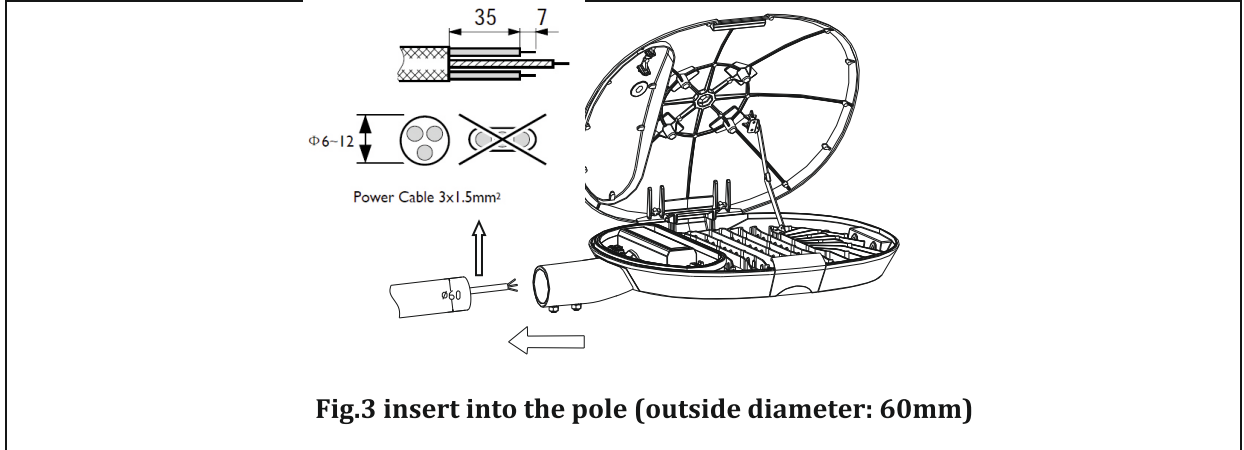
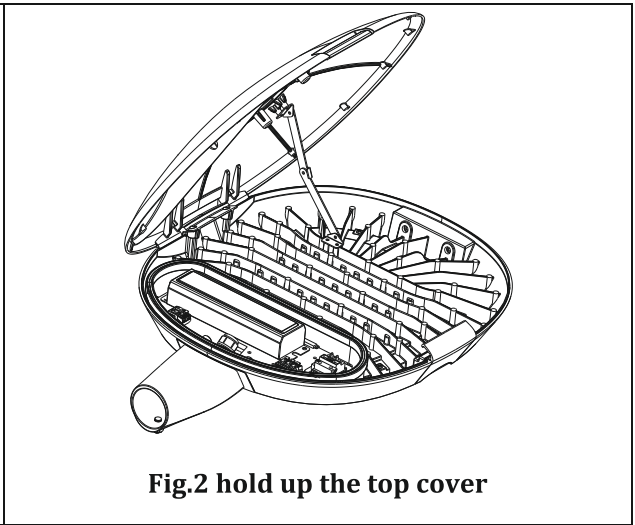
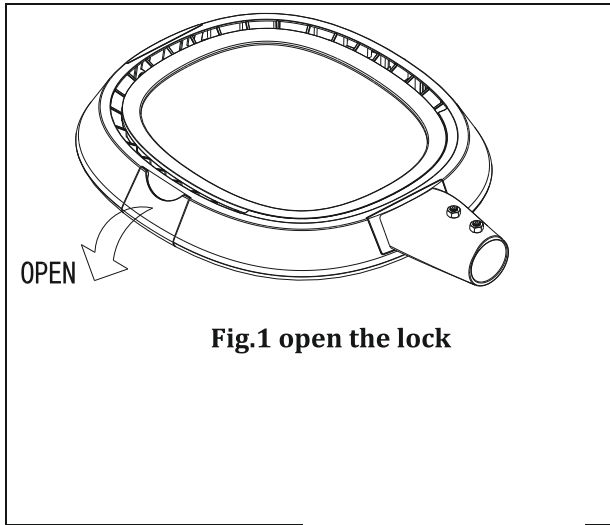


The max mounting height:13M

Weight:10.5Kg



Mounting instruction



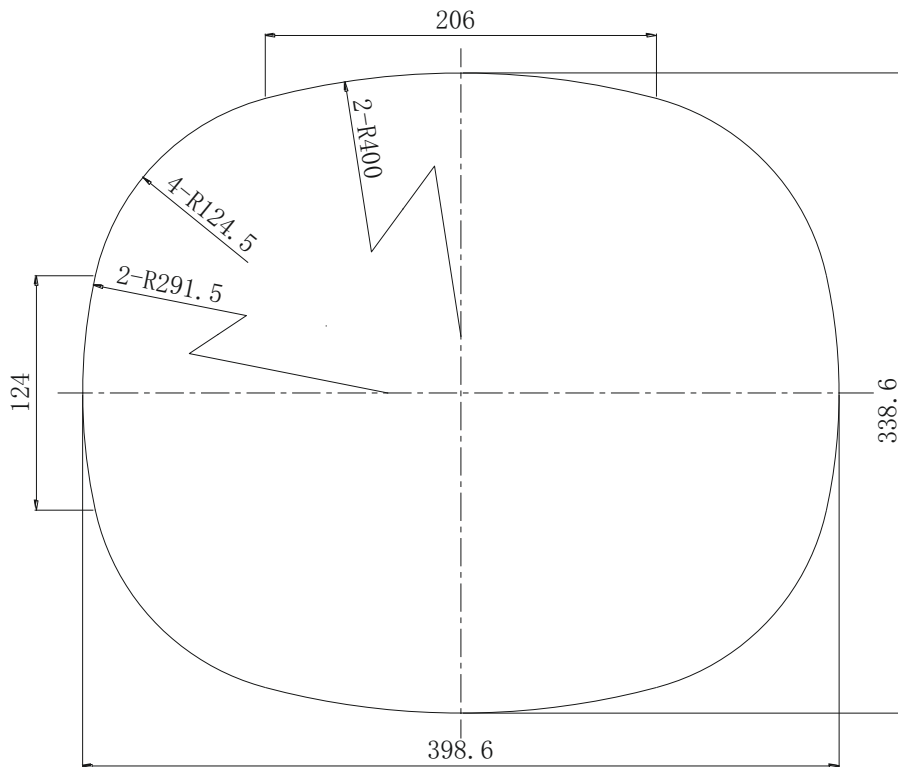


Fig.6 Glass size



1. The lighting should be placed where is cool, dry, clean and not allowed to be placed in the water or closed to fire resource and high temperature place.
2. To make sure the lighting is intact before it is installed and used. Only the authorized electrician can install the lighting, and the wire should be in line with national standards.
3. To lock the wire's fixed head and the screw on the top cover tightly in order to make sure the light is waterproof.
4. Don't switch on the power when connecting the wire.
5. Wiring instructions: The power should be connected to binding post inside the junction box, which IP grade should be higher than the lamp's IP grade. And the junction box should have fastened device for the wires.
6. It is recommended to use a supply box with a minimum IP rating of IP 66. The input cable should be 3 cores and the min cross-sectional area of the conductor should be 1.5 mm².The input cable should meet the requirement of 60245 IEC 57.
7. The thickness of the glass is 4mm.if it is broken, it can be replaced.
8. The light source contained in this luminaire shall only be replaced by the manufacturer or his service agent or a similar qualified person.