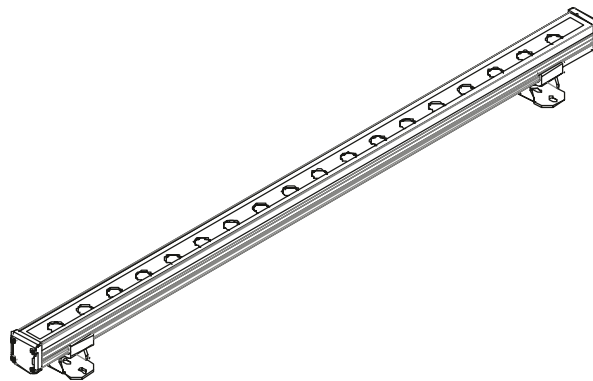


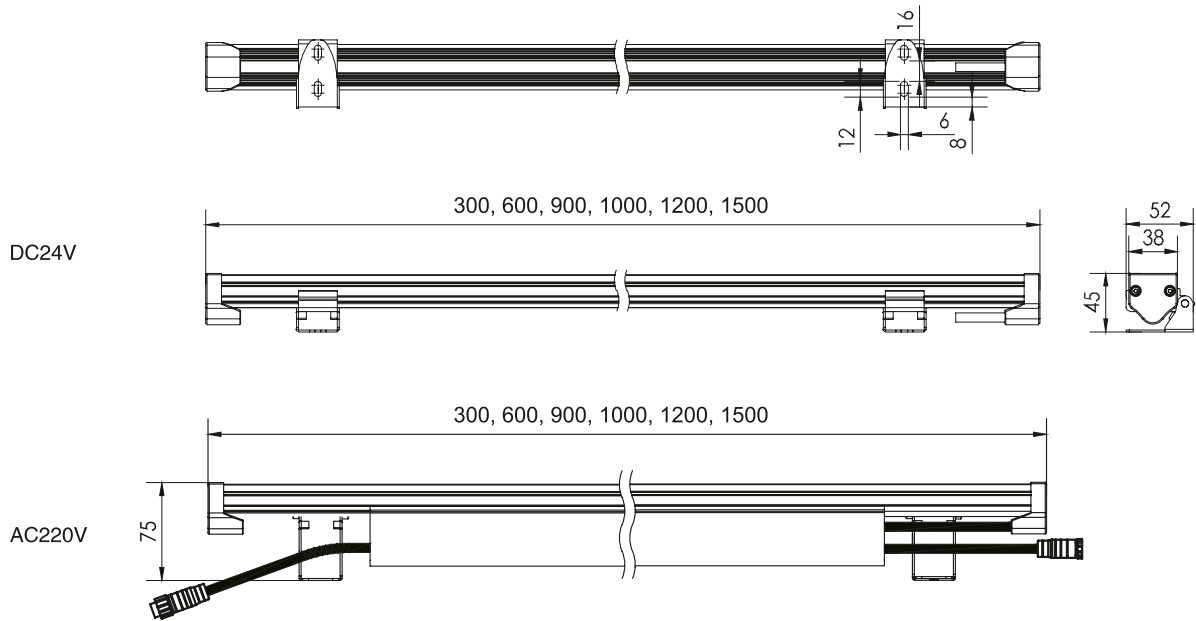
BAND Premier

USER MANUAL

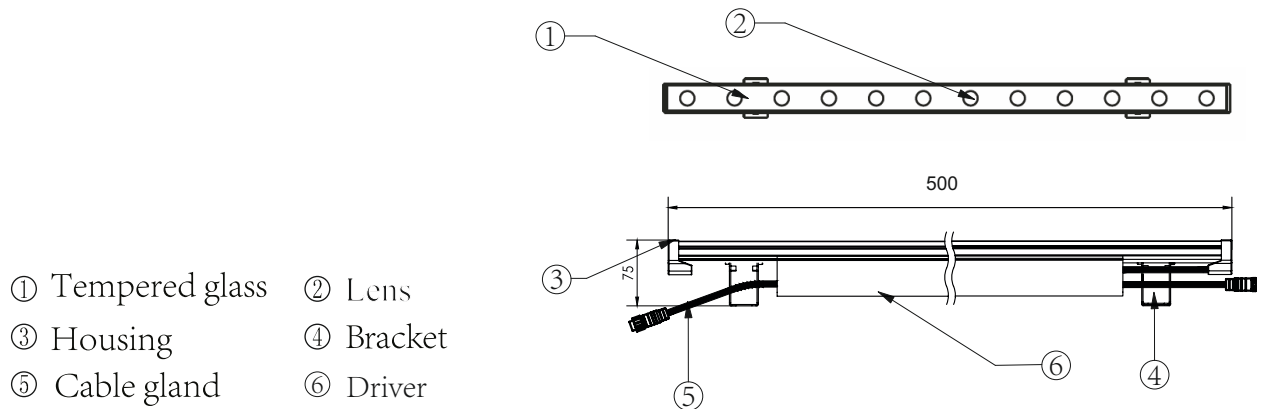


1. The luminaire shall be installed by a qualified electrician and wired in accordance with the latest IEE electrical regulations or the national requirements.
2. No supplied water-proof box, installation should be advised by qualified professional.
3. The external flexible cable can not be replaced. If the cable is damaged, the luminaire should be discarded.

OUTLINE DIMENSION



BOM



Note: The drawing was show a general int roduction to this description.
When the discrepency between the a ctual product and drawing,
please all to the actual products .

1.FEATURES

This product is a high power LED wall washer light.

The standard color temperature is 4000K.

The standard input voltage is 240VAC. When you install the product, please check the data label on the product and on the wire.

The main material of this product is aluminum, surface coating is only suitable for natural environment, don't install this product near the sea water or in the environment which is high salty or high acid.

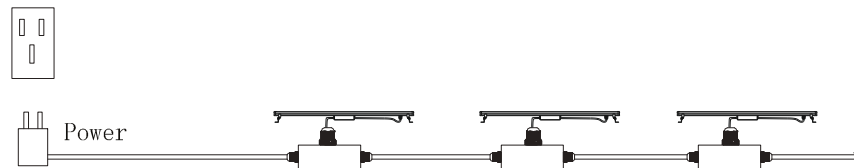
This is IP66 grade product, don't put fixture into water.

Applicable environment temperature: $-20^{\circ}\text{C} < \text{fixture} < +40^{\circ}\text{C}$

2.WIRING DIAGRAM

2.1 High voltage single color fitting: refer to the following recommended wiring method.

Example of wiring:



220-240VAC: circuit of product

