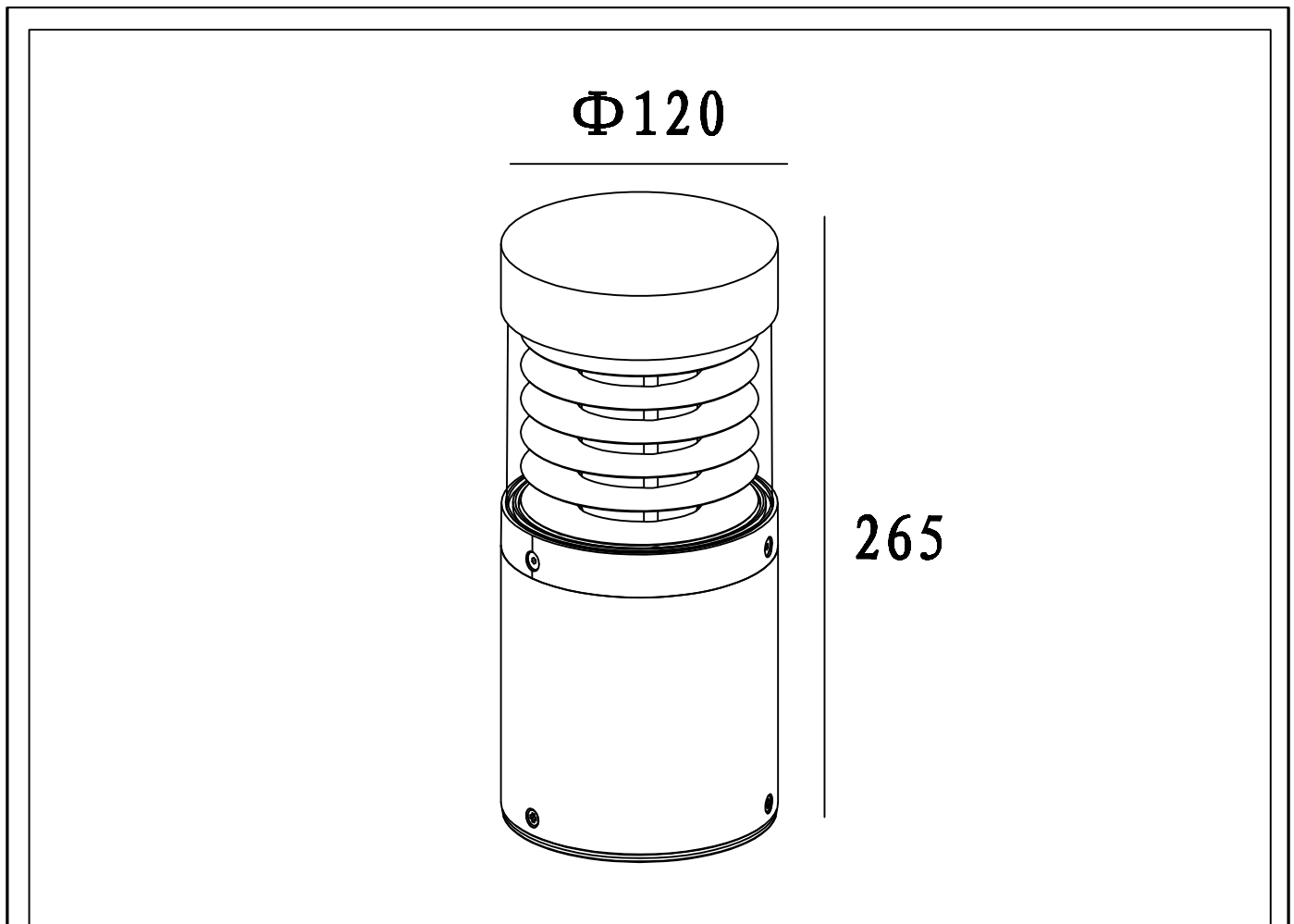


BRUMI-G 265

USER MANUAL

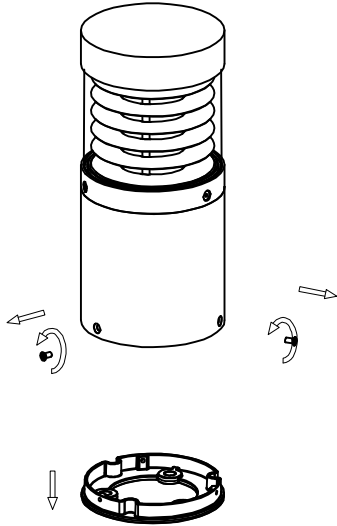


1. The luminaire shall be installed by a qualified electrician and wired in accordance with the latest IEE electrical regulations or the national requirements.
2. No supplied water-proof box, installation should be advised by qualified professional.
3. The external flexible cable can not be replaced. If the cable is damaged, the luminaire should be discarded.

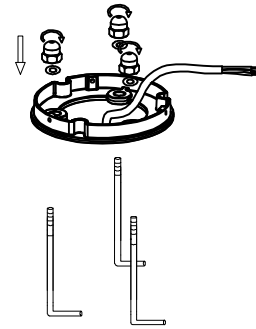


IMG
LIGHTING

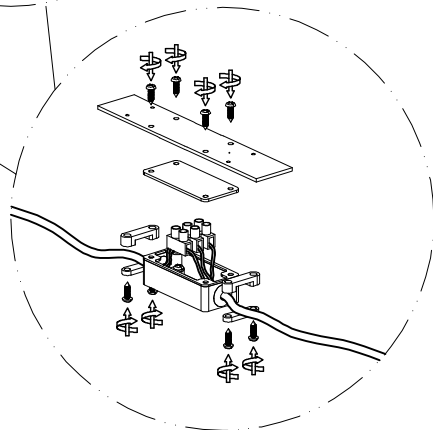
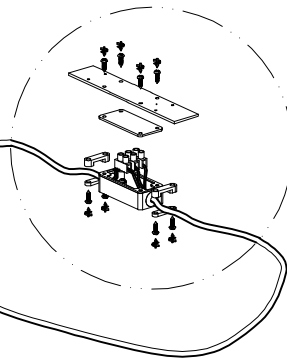
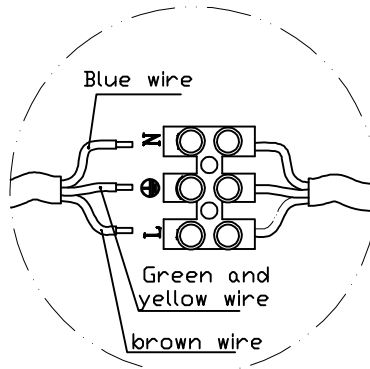
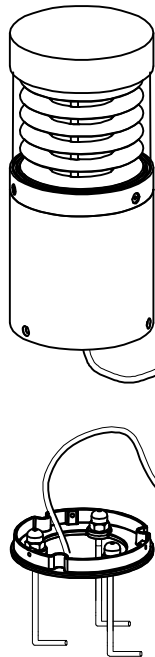
1.



2.



3.



IMG
LIGHTING

IMG LIGHTING

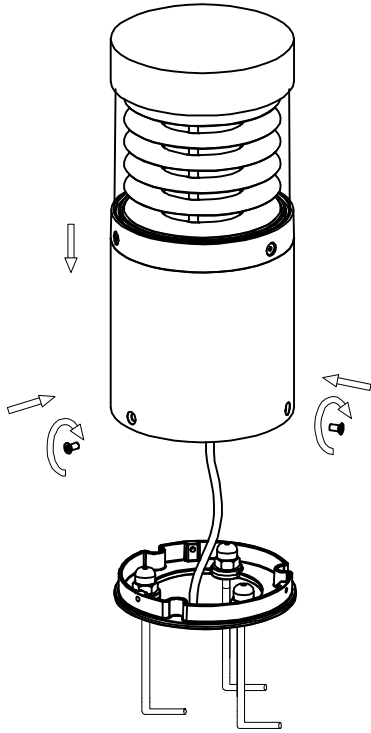
Wandsbeker Straße 3-7
Hamburg, Germany
info@img-lighting.com

www.img-lighting.com



IMG
L I G H T I N G

4.



5.

