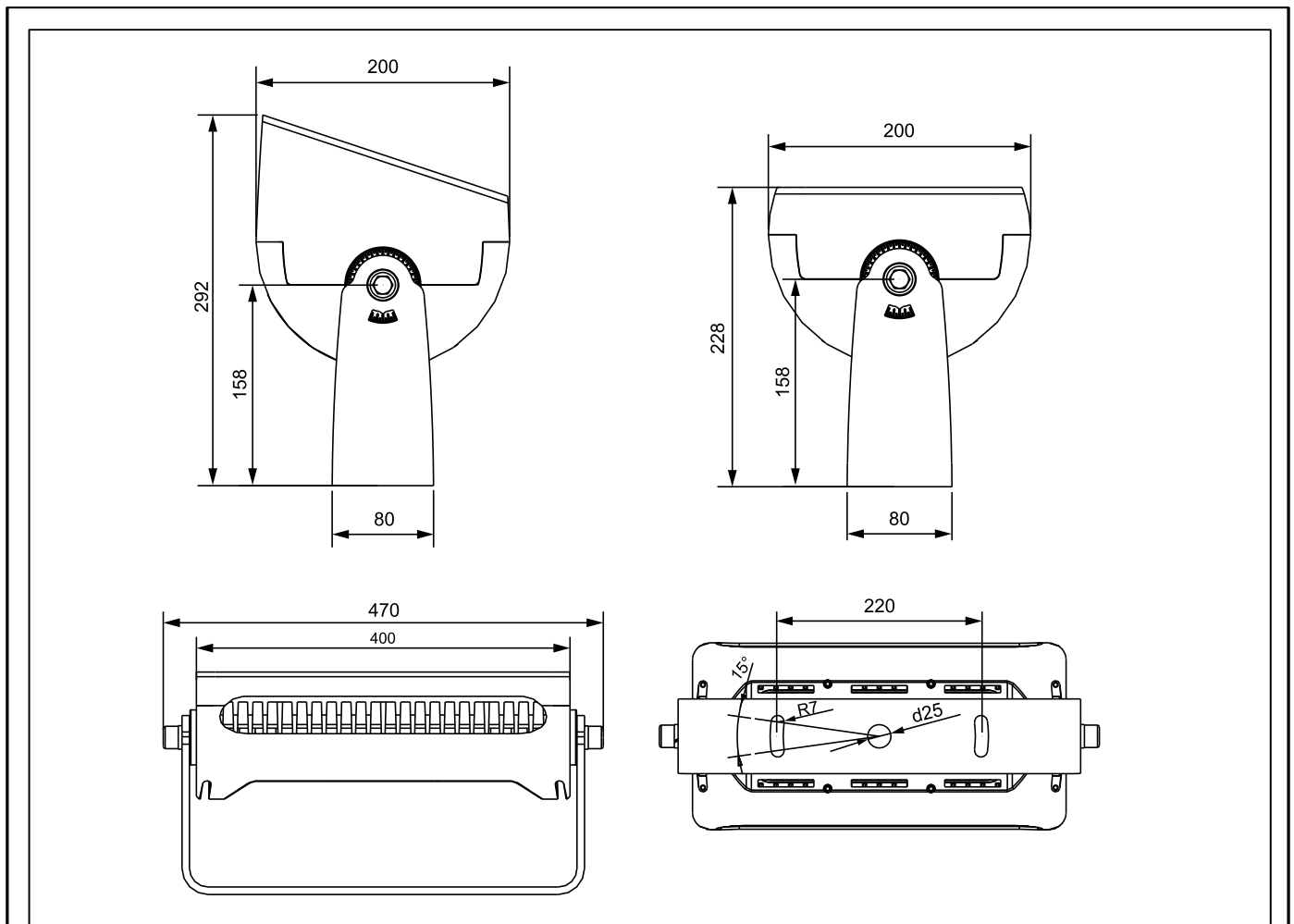




CHASER M 160W RGBW

USER MANUAL



1. The luminaire shall be installed by a qualified electrician and wired in accordance with the latest IEE electrical regulations or the national requirements.
2. No supplied water-proof box, installation should be advised by qualified professional.
3. The external flexible cable can not be replaced. If the cable is damaged, the luminaire should be discarded.

! Warning:

Confirm the correct connection method, incorrect connection can lead to improper work, and even damage.

If install wrong, it may fall off.

Refer to installation instruction for installing.

I. Product Introduction:

- The fixture is LED luminaire.
- Surface/Wall installation method.
- ADC12 Die-casting aluminum, High-intensity tempered glass, PMMA optical lens, Silicone waterproof sealed
- Isolated space for PCB and diver keeps rapid and stable the heat dissipation.
- Ingress protection is IP66
- Electrical class: Class I

II. Technical specification:

LED Brand	LED Q'ty	Wattage	Color Temperature
CREE	18pcs	160W	RGBW4IN1
Input Voltage/Frequency	Control Model	Working Current	Power Factor
100-240V AC	DMX512	/	/
Cutout Dimension(mm)	Net Weight	Ambient Temperature	Life Time(hr)
/	10kgs	-45°C ~ +55°C	50000

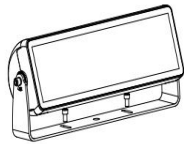


III. Observe the following dos and don'ts

1. Install in the IP 65 environment or beneath the IP65.
2. Prohibit punching any position of lamps
3. Please turn off the power and contact the dealer for problems in connection or other abnormal cases.
4. Installed by the qualified electrician holding a certificate.
5. Prohibit operating the lamps beyond the voltage scope as nation stipulated
6. Don't make the external power cable exposed during wiring.

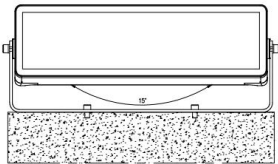
IV. Installation Instructions

1. According to step ①②, fix the bracket on the mounting surface.

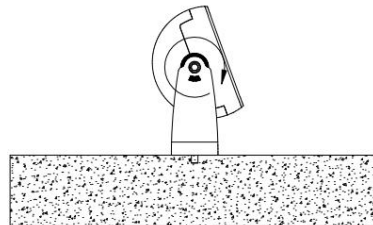


Step ①

2. According to step ③, connect the wire through the hole of the bracket and fix it



Step ②



Step ③

3. According to step ② ③, fix and adjust the bracket as your project needed.

4. Notes

The fixture must get reliable connection with the mounting surface, any screws in the lamps should not be arbitrarily loosed. There is no special requirement on the installation direction.

V. Remarks for the cables.

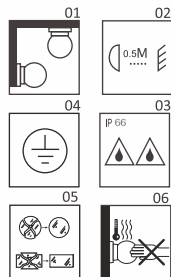
When you get the fixture, please check and find the relative version and confirm its Color Temperature, Electrical class, the cable out.

Attention: ■ When you get the fixtures is class III, please use a transformation to light. ■ When you get the RGB DMX512 fixture, please accurately connect the DMX cables, otherwise, it will influence the regular work.

CABLES OUT FOR DIFFERENT COLOR TEMPERATURE AND ELECTRICAL CLASS			
√ <u>VERSION 1</u>		× <u>VERSION 2</u>	
Single Color × WW × CW		√ RGBW (DMX512)	
√ Class I	L, N, E	Class III × DC36V × DC24V × DC12V	Power cable: 2pin1 V+ /Red wire, V- /Blue wire
Class III × DC36V × DC24V × DC12V	V+ /Red wire V- /Blue wire		DMX IN cable: 3pin1 ■DMX+ Red wire ■DMX- Blue wire ■GND Green wire

Installation Instruction

Attention:



01. The fitting is suitable for fixing to the wall and to the ceiling.
02. Always observe the minimum distance between the lamp and the surface being lit as indicated on the icon.
03. IP66: Protected against water jets
04. Protection class: the fitting has an earthing connection. The earth wire (yellow/green) has to be connected to the clip marked with ⊕.
05. Immediately replace a cracked or broken safety glass and use only manufacturer approved parts.
06. This luminaire contains in some places very hot parts.