



LED outdoor wall-mounted lighting IP65. The luminaire has an ergonomic and convenient design, and is suitable for accentual lighting. Suitable for use as outdoor lighting. The driver and the power supply are located inside the housing.



SPECIFICATION

Housing: Pressure die-cast aluminum alloy with polyester powder paint.

Glass: tempered glass, 3.5 mm

Beam angle: 25°

Housing color: Black, Brown, Silver

Color temperature, K: 3000K - 5000K

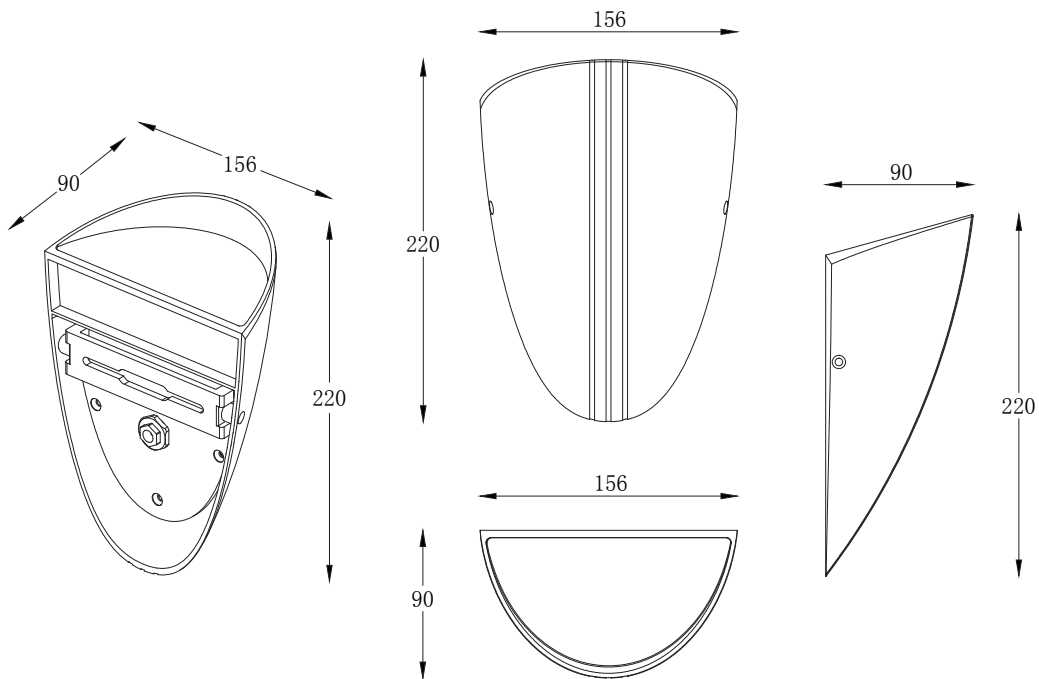
Control system: Switch On\Off

Input voltage, V: 24V, 220V

Ingress Protection Rating, IP: IP65

Color rendering index: >80

Operating temperature: -30°C ~ +60°C



Article	Name	Power, W	Dimensions, mm	Input voltage, V	Color Temperature, K	Beam angle, degrees	Weight, kg
509012030	FIZZ 3000K12 W 220V IP65	12W	220x156x90	220V	3000K-5000K	25°	1.2
509012040	FIZZ 4000K12 W 220V IP65	12W	220x156x90	220V	3000K-5000K	25°	1.2
509012050	FIZZ 5000K12 W 220V IP65	12W	220x156x90	220V	3000K-5000K	25°	1.2