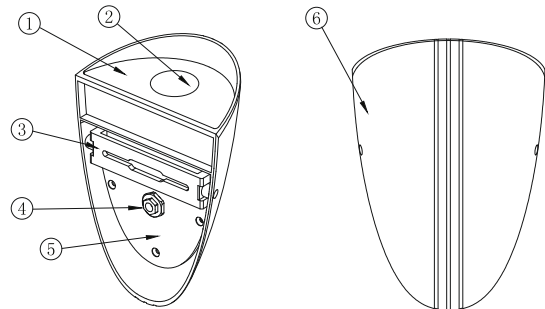
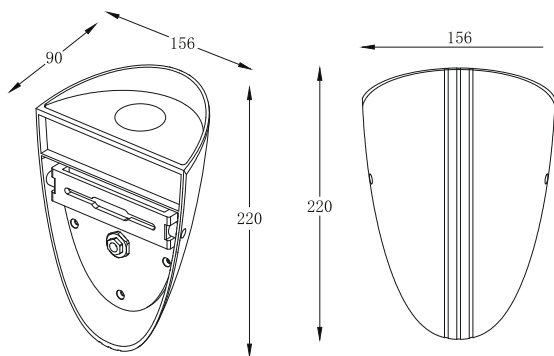


# FIZZ

## USER MANUAL



- |          |               |
|----------|---------------|
| ① Glass  | ④ Cable gland |
| ② LED    | ⑤ Housing     |
| ③ Driver | ⑥ Cover       |

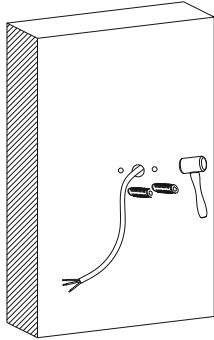
Unit: mm

Note: The drawing was show a general introduction to this description.  
 When the discrepancy between the actual product and drawing,  
 please all to the actual products.

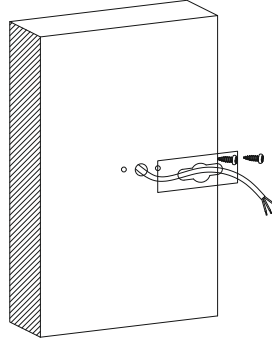
### 1.FEATURES

- This product is a high power LED wall light.
- The standard color temperature of cool white is in range 5500-6500k;warm white is in range 2700-3200k.
- The standard input voltage is 24VDC(low voltage),100-120V and 220-240V,totally 3 type.When you install the product ,please check the data label on the product and the wire.
- When installation, always work with technician or install by technician.
- The main material of this product is aluminum, surface coating is only suitable for natural environment ,don't install this product near the sea water or in the environment which is high salty or high acid.
- This is IP65 grade product, don't put fixture into water.
- Applicable environment temperature:  $-20^{\circ}\text{C}<\text{fixture}<+40^{\circ}\text{C}$

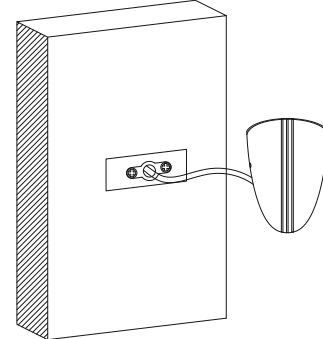
## 2. INSTALLATION



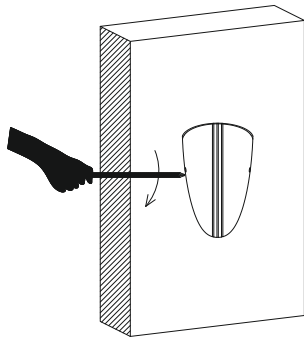
Drill two holes on the wall where you are about to install the lighting fixture. Then put two rubber plug into the holes respectively by using a hammer.



Fix the back cover of the bracket on the wall with two steel screw. Make sure the cable get through the hole in the middle of it.



Connect the lighting fixture with the cable which is been prepared for the installation previously.

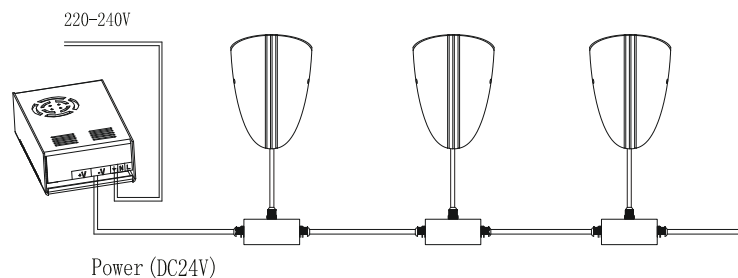


Fix the fixture on the back cover of the bracket with two screw.

## 3. WIRING DIAGRAM

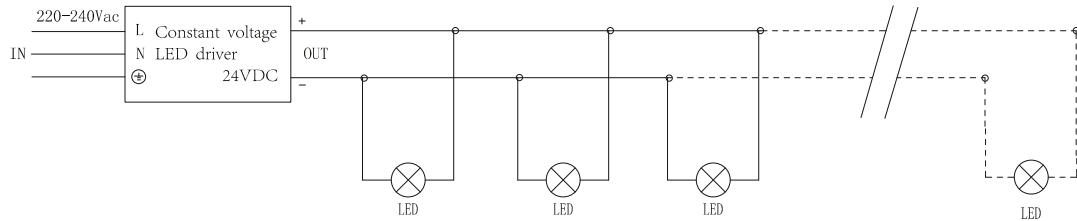
3.1: Low voltage single color fitting: use external power supply, the input voltage of power supply must be consistent with the requested input voltage of the fitting, as the fitting is constant voltage input type. The power consumption of power supply must be decided by installer according to the requirements from the site.

Example of wiring:



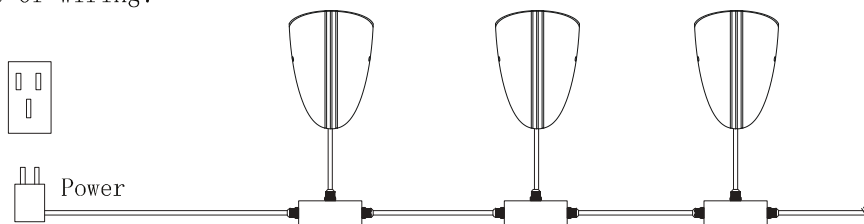


### 24VDC: circuit of product

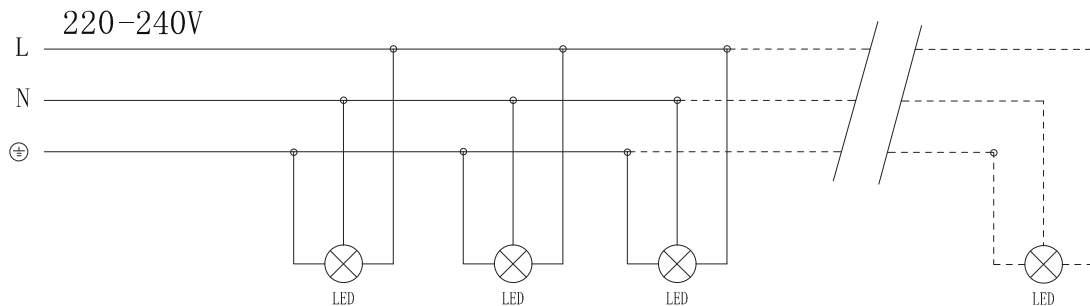


3.2: High voltage single color fitting: refer to the following recommended wiring method.

Example of wiring:



### 220-240Vac: circuit of product



## 4. SPECIFICATIONS

### 4.1: Material specification.

Housing: 12# die-casting grey powder coated aluminum,  
T=60-80um. adhesion of ISO class 1/ASTM class 4B

Glass: Tempered glass. T=3.5mm.

LED Diver: Constant current output

Operating temperature: -20°C ~ 40°C

Mounting base: Powder coated die-casting aluminum

Power cable: H05RN-F 3×1.0mm<sup>2</sup>L=0.5mm (High voltage)

### 4.2: Electrical parameters:

Light source	The manufacturer selected lens	Degree (°)	Input voltage (v)	Typical operating current (mA)	Typical consumption (W)	Typical luminance (lm)	IK rate
1×12W SHARP COB	R3	30	24VDC 120/240	24V=576 120V=110 240V=60	24V=13.8 120V=13.4 240V=13.1	Cool white=834 Warm white=809	05