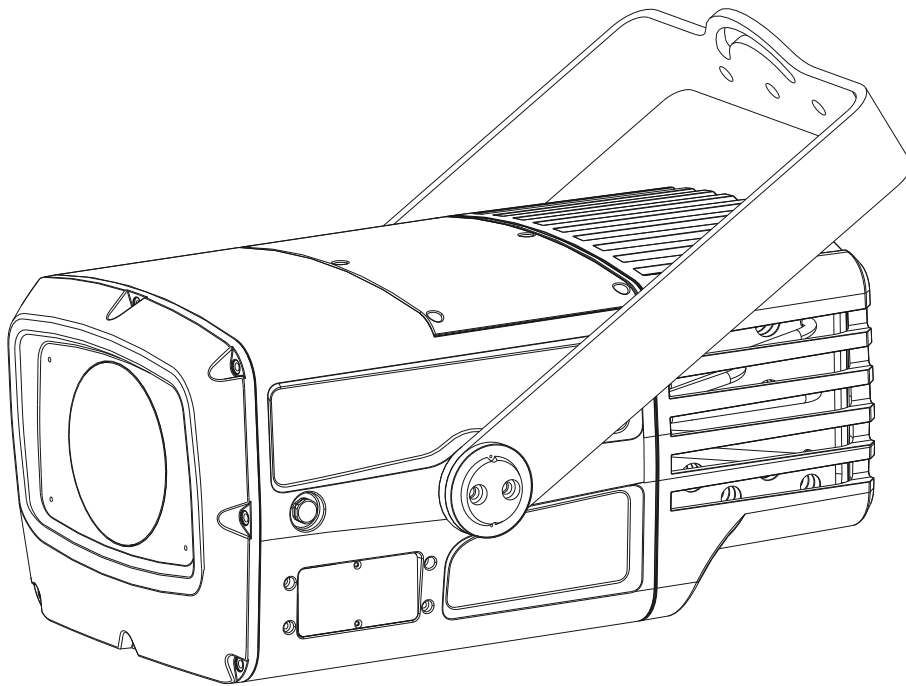


FLORIS GOBO 350W

USER MANUAL

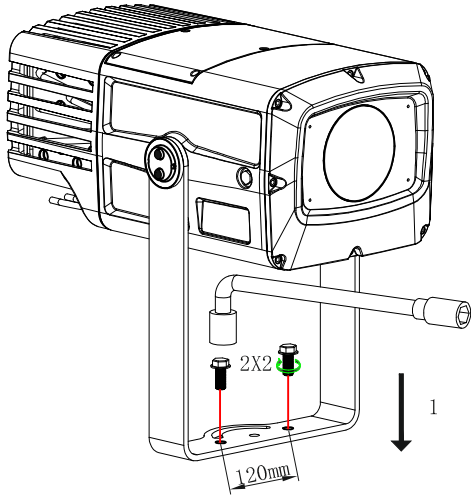


1. The luminaire shall be installed by a qualified electrician and wired in accordance with the latest IEE electrical regulations or the national requirements.
2. No supplied water-proof box, installation should be advised by qualified professional.
3. The external flexible cable can not be replaced. If the cable is damaged, the luminaire should be discarded.

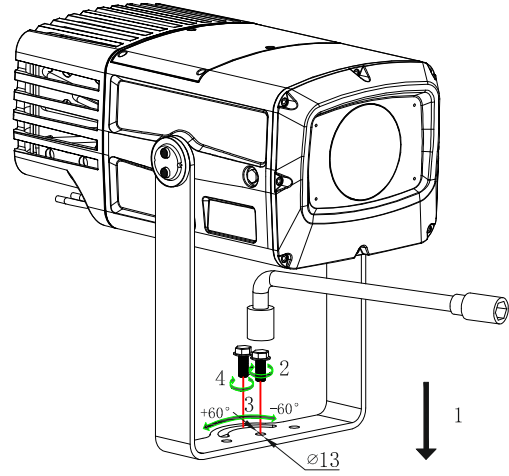


IMG
L I G H T I N G

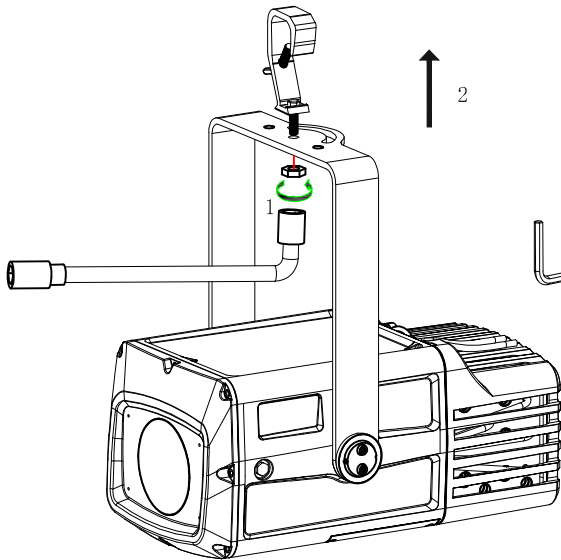
①



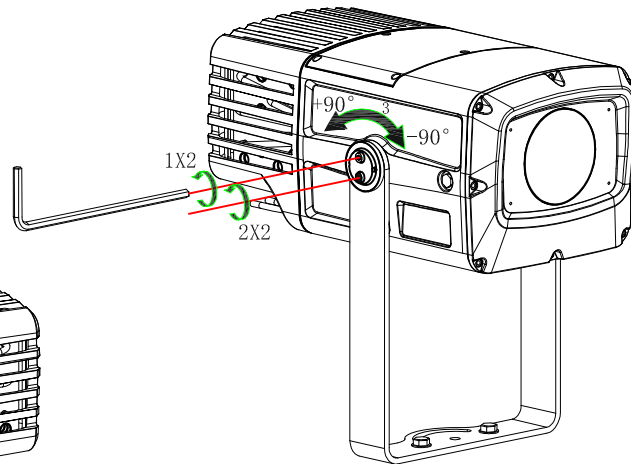
②



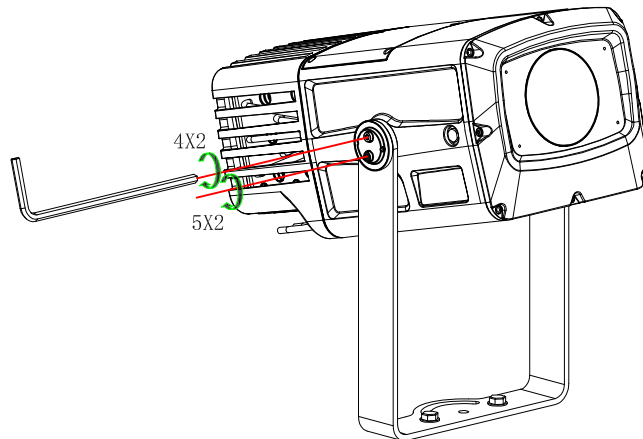
③



④



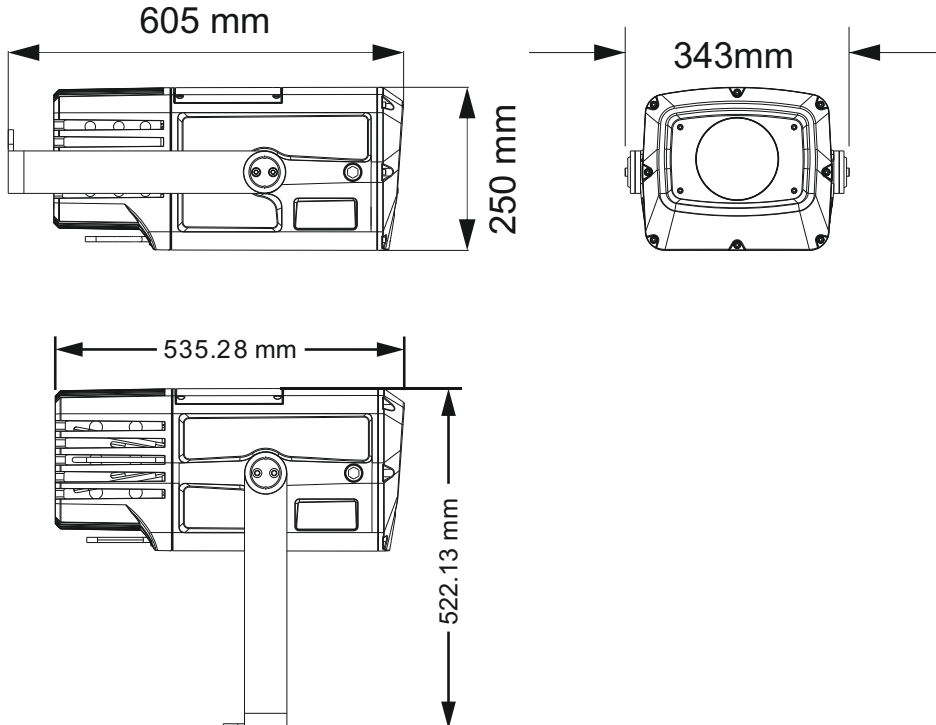
⑤



1 Product Introduction

1.1 Specification

Product code	FLORIS GOBO 350W
Dimenson	605×343×250(mm)
Weight	23KG
Rated power	350W
Input voltage	AC100~240V
Frequency range	50/60Hz
Protection grade	IP66
Ambient temperature	-20°C~45°C
LED quantity	350W Light source module
Beam angle	8°~40°
Control model	DMX512/RDM



1.2 Safety warning

IMPORTANT

Always read the user manual before operation.

Please confirm that the power supply stated on the product is the same as the mains power supply in your area.

- This product must be installed by a qualified professional.
- Always operate the equipment as described in the user manual.
- A minimum distance of 0.5m must be maintained between the equipment and combustible surface.
- The product must always be placed in a well ventilated area.
- Always make sure that the equipment is installed securely.
- Do not stand close to the equipment and stare directly into the LED light source.
- Always disconnect the power supply before attempting and maintenance.
- Always make sure that the supporting structure is solid and can support the combined weight of the products.
- The earth wire must always be connected to the ground.
- Do not touch the power cables if your hands are wet.

ATTENTION

⚠ ATTENTION ⚠

- This product left the place of manufacture in perfect condition. In order to maintain this condition and for safe operation, the user must always follow the instructions and safety warnings described in this user manual.
- Avoid shaking or strong impacts to any part of the equipment.
- Make sure that all parts of the equipment are kept clean and free of dust.
- Always make sure that the power connections are connected correct and secure.
- If there is any malfunction of the equipment, contact your distributor immediately.
- When transferring the product, it is advisable to use the original packaging in which the product left the factory.
- Shields, lenses or ultraviolet screens shall be changed if they have become damaged to such an extent that their effectiveness is impaired.
- The lamp (LED) shall be changed if it has become damaged or thermally deformed.



Caution, risk of electric shock
The light source contained in this luminaire shall only be replaced by the manufacturer or his service agent or a similar qualified person.

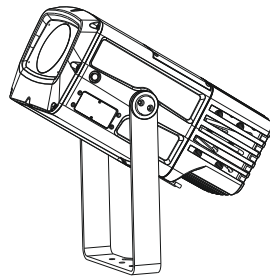


2 Installation

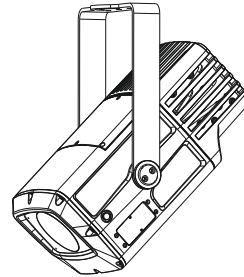
2.1 Mounting

The fixture can be mounted in any position.
Always ensure that mounting surface can withstand 10 times the weight of the fixture.

Always use a safety cable when mounting the fixture in any elevated position.



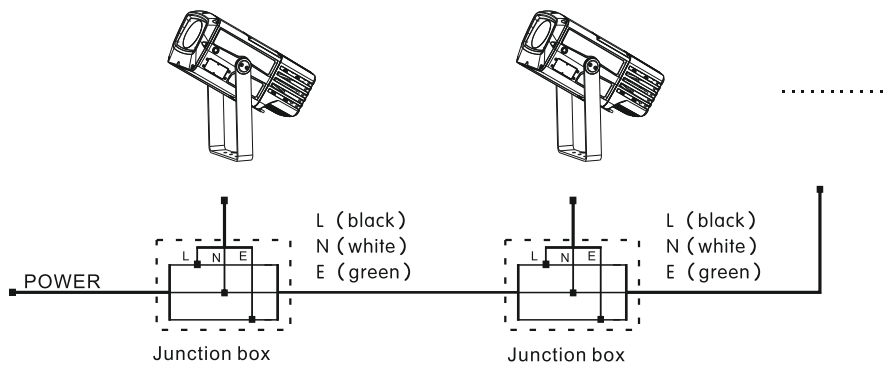
UPRIGHT



HANGING

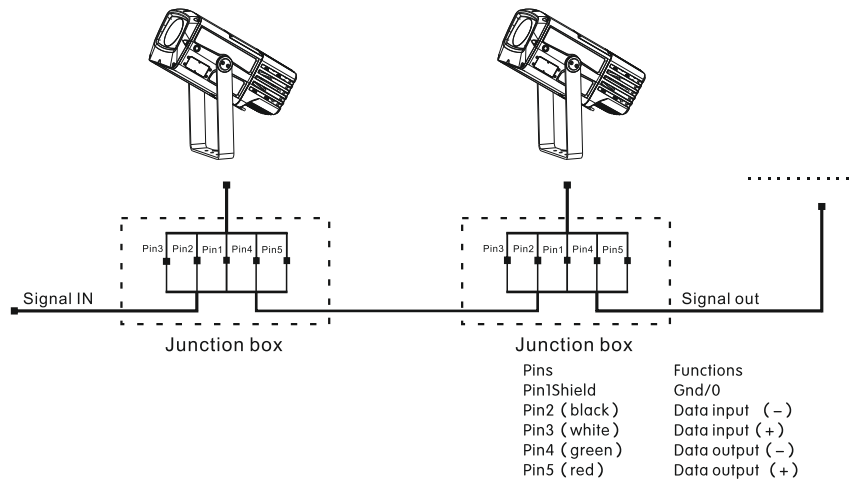
2.3 Power connections

This product provides for the use of input power and signal cables are three-core, the connection diagram is as follows



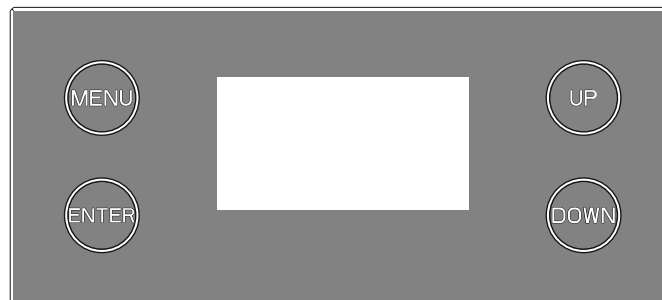
2.3 Signal connections

If the signal cable is over 60m between the DMX512 controller and fixture or between two fixtures, then a DMX signal amplifier is needed as well.



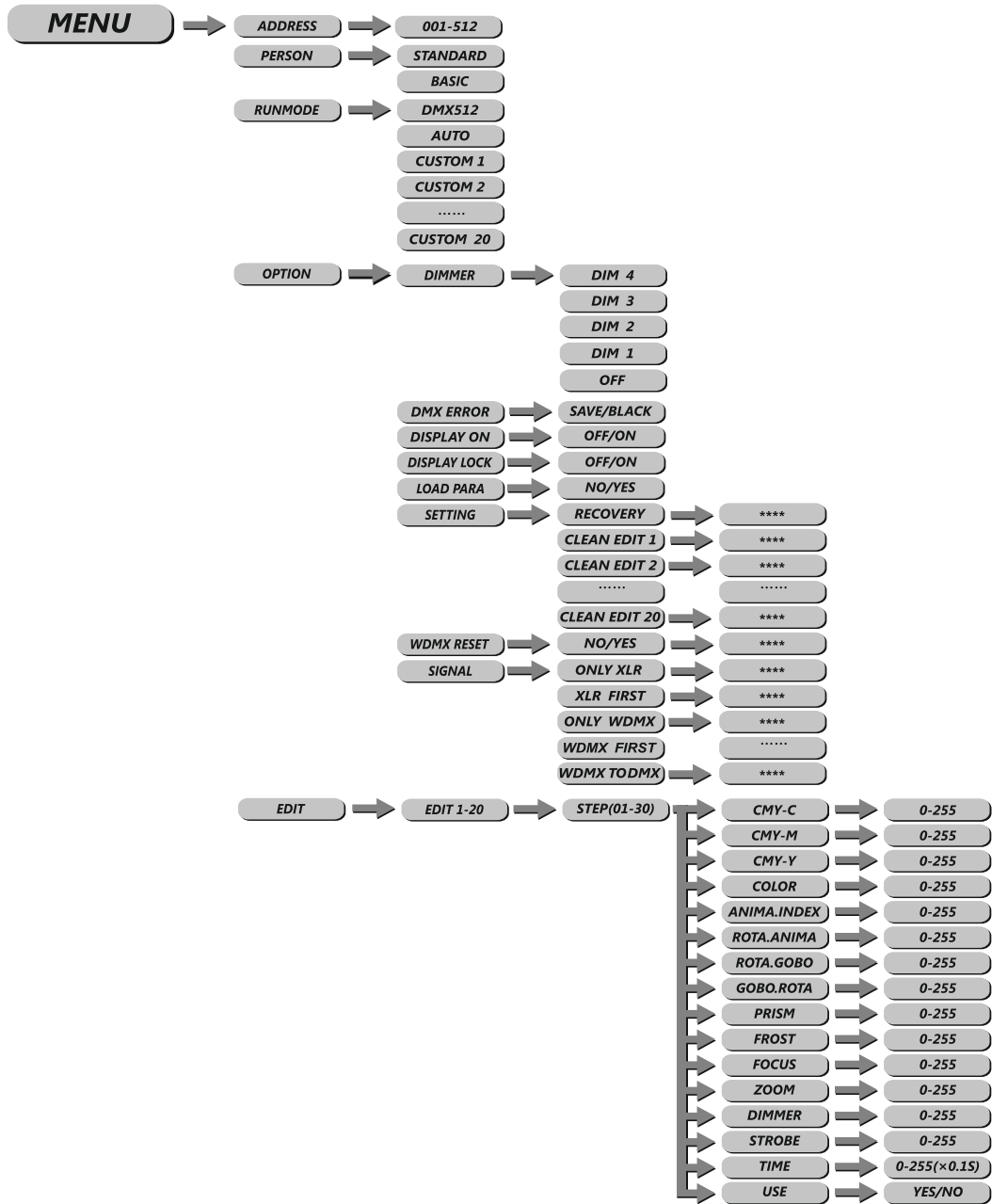
3 Display panel operation

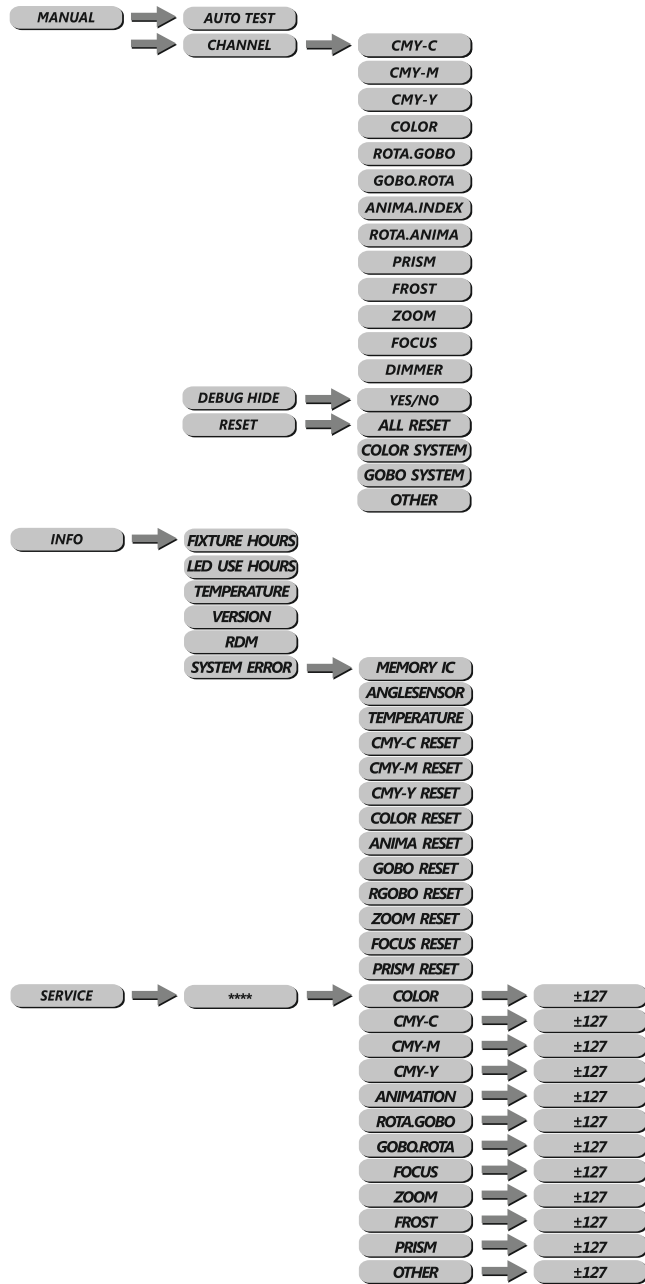
3.1 Display operation



- [MENU] Scroll through the main menu or exit from the current sub-menu (press and hold to turn off power).
- [ENTER] Enter the currently selected menu or confirm the current function value.
- [DOWN] Scroll 'DOWN' through the menu list or decrease the value of the current function.
- [UP] Scroll 'UP' through the menu list or increase the value of the current function.

3.2 Menu





3.3 DMX Address



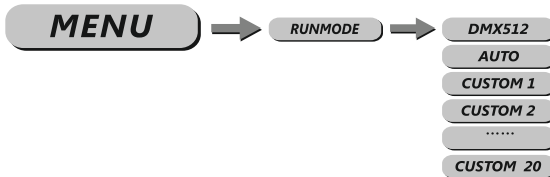
- Enter the [DMX] mode to set the DMX address.
- Enter Up/Down select [1~512] address.
- Enter [MENU] return.

3.4 Personality(Person)



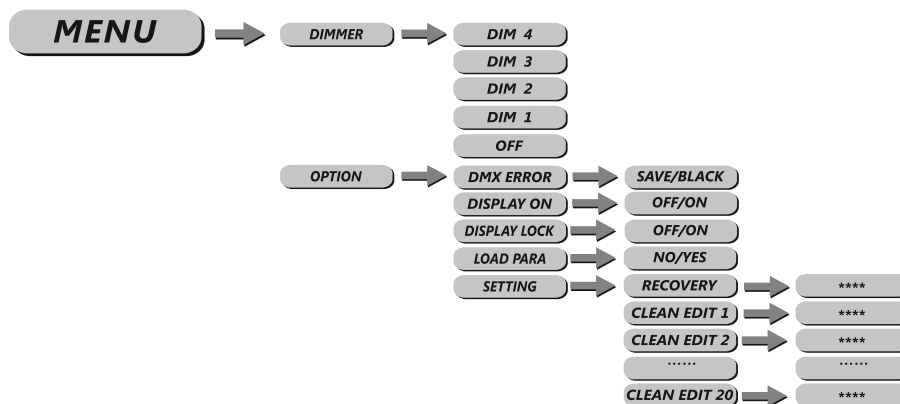
- Enter the [PERSON] mode to select DMX mode: [STANDRAD] , [BASIC] .

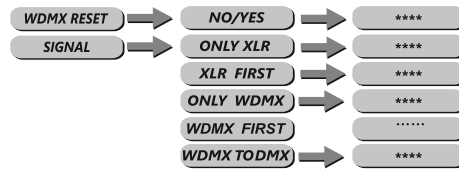
3.5 Runmode



- [RUNMODE] menu, select required run mode, there are six modes inside: [DMX512] DMX512 mode, [AUTO] auto run mode, [CUSTOM] customer self-editing scene mode press Down/Up select mode.
- press [ENTER] accept, press [MENU] return.

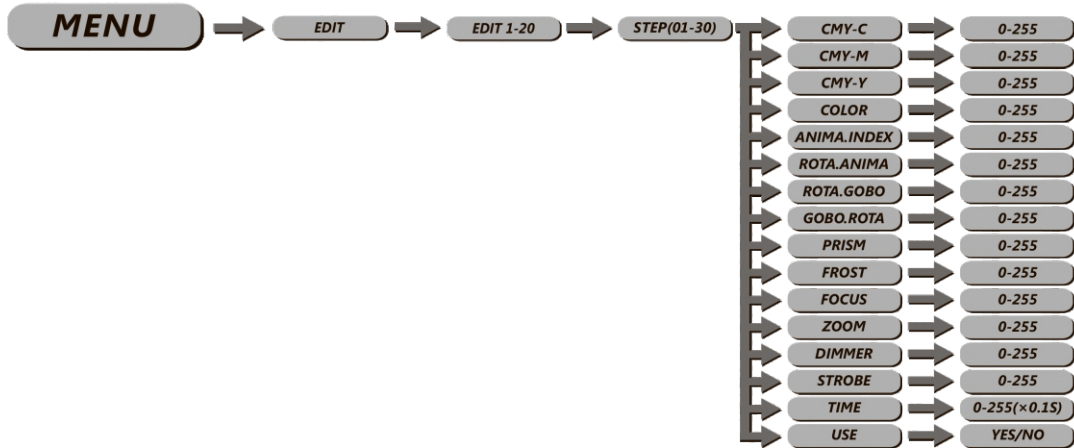
3.6 Performance(Option)





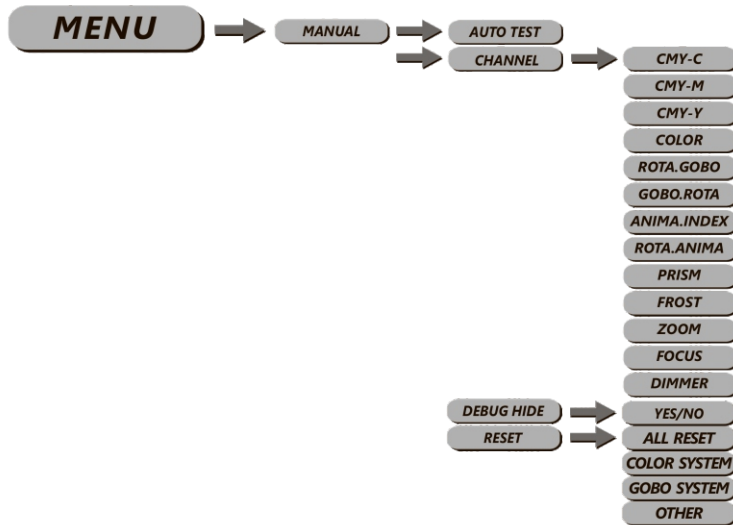
- Enter [OPTION] into the machine set.
- Enter the [DIMMER] to select the dimmer work mode, press [Enter] When Dimmer is set to [OFF] the RGB and Master Dimmer are linear, When selecting [DIM1] , [DIM2] , [DIM3] or [DIM4] , the RGB and Master Dimmer are nonlinear.
- These 4 dimming modes have different soft and smooth dimming effects from fast to slow.
- [DMXERROR] menu, select [SAVE] to maintain last command in case of DMX error or for blackout.
- Choose [OFF] and [ON] to close and open the display open & close mode in menu [DISPLAY] .
- Choose [OFF] and [ON] to close and open the screen lock mode in menu [DISPLAY LOCK] .
- [LOAD PARA] is parameter upload Settings, enter [NO] do not upload, enter [YES] upload.
- [SETTING] maintain settings, select [RECOVERY] is restore default factory settings. press [ENTER] enter password " UP+DOWN+UP+DOWN " then press [ENTER] , if your password correct there will display [OK] .
 [CLEANEDIT 1] clean customer self-editing scene 1, press [ENTER] confirm.
 [CLEANEDIT 2] clean customer self-editing scene 2, press [ENTER] confirm.
 ...
 [CLEANEDIT 20] clean customer self-editing scene 20, press [ENTER] confirm.
- [WDMX RESET] wireless resetting, use for patch wireless signal, [YES] is Clear the receiver's message, press again patch wireless signal, [No] do not clear the receiver's message.
- [SIGNAL] is signal setting, ONLY XLR is wire only, XLR FIRST is wire first, ONLY WDMX is wireless only. WDMX FIRS is wireless first , WDMX TO DMX is wireless to wired.

3.7 EDIT



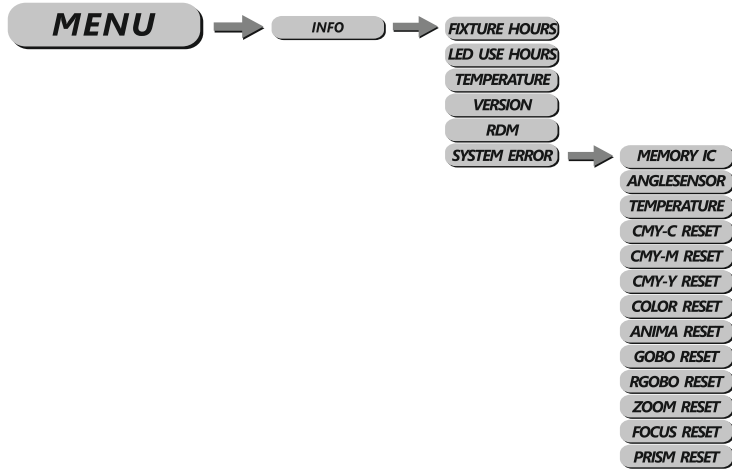
- Enter the [EDIT] mode to edit the custom programs by adjusting the value of
 - [CMY-C] ,Push up and down buttons adjust 0~255 value.
 - [CMY-M] ,Push up and down buttons adjust 0~255 value.
 - [COLORS] ,Push up and down buttons adjust 0~255 value.
 - [ANIMA.INDEX] ,Push up and down buttons adjust 0~255 value.
 - [ROTA.ANIMA] Dynamic Effect Wheel Autorotation Setting: when the value is set 0~10, it will show only white light. During 11~131, Dynamic Effect Wheel Flow Effect will rotate clockwise; the higher the value, the slower the speed. During 132~134, Dynamic Effect Wheel Flow Effect will stop rotating. During 135~255, Dynamic Effect Wheel Flow Effect will rotate anticlockwise; and the higher the value, the faster the speed.
 - [ROTA GOBO] ,Push up and down buttons adjust 0~255 value.
 - [GOBOROTA] ,Push up and down buttons adjust 0~255 value.
 - [PRISM] ,Push up and down buttons adjust 0~255 value.
 - [FROST] ,Push up and down buttons adjust 0~255 value.
 - [ZOOM] ,Push up and down buttons adjust 0~255 value.
 - [FOCUS] ,Push up and down buttons adjust 0~255 value.
 - [DIMMER] ,Push up and down buttons adjust 0~255 value.
 - [STROBE] ,Push up and down buttons adjust 0~255 value.
 - [TIME] .Push up and down buttons adjust 0~255 value.
- Enter [Use] and select [Yes] to run the steps user need.

3.8 MANUAL



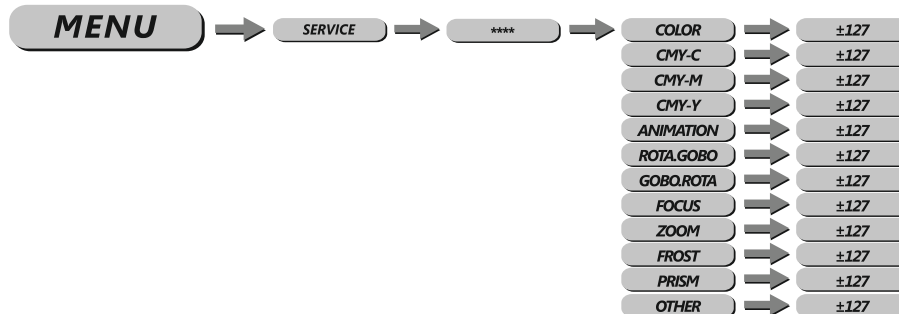
- Press [ENTER] into [AUTOTEST] at [MENUAL] .
- [CMY-C] CMY magenta, [CMY-M] CMY cyan, [CMY-Y] CMY yellow, [COLOR] color temperature, [ROTA.GOBO] set the rotating gobo wheel, [GOBO.ROTA] set the autogiration of gobo wheel, [ANIMA.INDEX] Dynamic Effect wheel Location Setting, [ROTA.ANIMA] Dynamic Effect wheel Autorotation Setting, [PRISM] set the prism, [FROST] set the frost lens, [IRIS] set the iris, [ZOOM] set the zoom of fixture, [FOCUS] set the focusing, [DIMMER] set the dimmer, push the UP/DOWN to set the value.
- [DEBUGHIDE] is the factory testing mode. All stepper motors are not controlled by signal, it only works again after the reset. enter No out、 enter Yes in.
- [RESET] set the reset:
 - [ALL RESET] menu, select Yes/No to carry out all reset.
 - [COLOR SYSTEM] color wheel、 CMY resetting, press No do not resetting, press Yes resetting.
 - [GOBO SYSTEM] fix gobo resetting. press No do not resetting, press Yes resetting.
 - [OTHER] focus、 prism、 frost、 iris, press No do not resetting, press Yes resetting.

3.9 INFO



- Press [ENTER] into [INFO] check information, press up and down
- [FIXTURE HOURS] is hours of fixture use;
- [LED USE HOURS] is LED use time;
- [TEMPERATURE] is led temperature.
- [VERSION] is software versions;
- [RDM] check fixture's ID;
- [SYSTEM ERROR] system information error:
 Memory IC, AngleSensor, Temperature, CMY-C Reset, CMY-M Reset, CMY-Y Reset, Color Reset, Anima Reset, Gobo Reset, RGobo Reset, Zoom Reset, Focus Reset, Prism Reset.

3.10 SERVICE



- Press [ENTER] into [SERVICE] Enter password to enter the options page.
 - 【 COLOR 】 Color position fine adjustment , Push up and down buttons adjust ± 127 value.
 - 【 CMY-C 】 CMY-C position fine adjustment , Push up and down buttons adjust ± 127 value.
 - 【 CMY-M 】 CMY-M position fine adjustment , Push up and down buttons adjust ± 127 value.
 - 【 CMY-Y 】 CMY-Y position fine adjustment , Push up and down buttons adjust ± 127 value.
 - 【 ANIMATION 】 Anima index position fine adjustment , Push up and down buttons adjust ± 127 value.
 - 【 ROTA.GOBO 】 Rotation gobo position fine adjustment , Push up and down buttons adjust ± 127 value.
 - 【 GOBO.ROTA 】 Gobo self-rotation position fine adjustment , Push up and down buttons adjust ± 127 value.
 - 【 FOCUS 】 Focus position fine adjustment , Push up and down buttons adjust ± 127 value.
 - 【 ZOOM 】 Zoom position fine adjustment , Push up and down buttons adjust ± 127 value.
 - 【 FROST 】 Frost position fine adjustment , Push up and down buttons adjust ± 127 value.
 - 【 PRISM 】 Prism position fine adjustment , Push up and down buttons adjust ± 127 value.
 - 【 OTHER 】 None.



4 Using a DMX512 Controller

4.1 Channel Assignment

Note: this product have two DMX512 channel configuration: [STANDARD] , [BASIC] .

STANDARD

CHANNEL	VALUE	FUNCTION
1	0 ↔ 255	Master Dimmer
2	0 ↔ 255	Master Dimmer Adjustment
3	Storbe	
	0 ↔ 9	No Function
	10 ↔ 99	Strobe From (slow To Fast ,0-25hz)
	100 ↔ 109	No Function
	110 ↔ 179	Lightning Strobe (slow To Fast)
	180 ↔ 189	No Function
	190 ↔ 255	Random Strobe
4	0 ↔ 255	Cyan
5	0 ↔ 255	Magenta
6	0 ↔ 255	Yellow
7	CMY Macro	
	0 ↔ 19	No Function
	20 ↔ 21	2700k
	22 ↔ 23	3200k
	24 ↔ 25	3500k
	26 ↔ 27	4000k
	28 ↔ 29	4500k
	30 ↔ 31	5000k
	32 ↔ 33	5400k
	34 ↔ 35	5600k
	36 ↔ 37	6000k
	38 ↔ 39	6500k
	40 ↔ 41	6800k
	42 ↔ 43	L106
44 ↔ 45	L194	
46 ↔ 47	L019	
48 ↔ 49	R08	
50 ↔ 51	L213	

CHANNEL	VALUE	FUNCTION
	52 ↔ 53	R80
	54 ↔ 55	L202
	56 ↔ 57	L328
	58 ↔ 59	R3314
	60 ↔ 61	L101
	62 ↔ 63	L768
	64 ↔ 255	Macro Effect r->g->b->r
	Color wheel 7+1	
8	000 ↔ 007	White
	008 ↔ 015	Color R1
	016 ↔ 023	Color R2
	024 ↔ 031	Color R3
	032 ↔ 039	Color R4
	040 ↔ 047	Color R5
	048 ↔ 055	Color R6
	056 ↔ 063	Color R7
	064 ↔ 191	Color wheel 0~360°
	192 ↔ 222	Color wheel rainbow effect (speed 100%->1)
	223 ↔ 224	Stop
	225 ↔ 255	Color wheel rainbow effect (speed 1-> 100%)
9	0 ↔ 255	Color wheel fine adjustment. available when the value is under 191 on channels 64.
	Rotating gobo 7+1	
10	000 ↔ 010	White
	011 ↔ 018	Gobo1
	019 ↔ 026	Gobo2
	027 ↔ 034	Gobo3
	035 ↔ 042	Gobo4
	043 ↔ 050	Gobo5
	051 ↔ 058	Gobo6
	059 ↔ 066	Gobo7
	067 ↔ 074	Gobo1 Shake (speed 1 → 100%)
	075 ↔ 082	Gobo2 Shake (speed 1 → 100%)
	083 ↔ 090	Gobo3 Shake (speed 1 → 100%)
	091 ↔ 098	Gobo4 Shake (speed 1 → 100%)
	099 ↔ 106	Gobo5 Shake (speed 1 → 100%)
	107 ↔ 114	Gobo6 Shake (speed 1 → 100%)
	115 ↔ 122	Gobo7 Shake (speed 1 → 100%)
123 ↔ 127	White	



CHANNEL	VALUE	FUNCTION
	128↔190	Rotating Gobo Flowing Water Effect (speed 100%→1)
	191↔192	Stop
	193↔255	Rotating Gobo Flowing Water Effect (speed 1→100%)
	Gobo rotating	
	000↔120	Rotating Gobo Angle Adjustment (0 → 360°)
	121↔125	Stop
	126↔165	Jitter (slow to fast)
11	166↔170	Stop
	171↔190	Rotating Gobo Positive Rotation (speed 100% → 1)
	191↔192	Stop
	193↔255	Rotating Gobo Reverse Rotation (speed 1 → 100%)
12	Dynamic Effect wheel Location	
	000↔255	Dynamic Effect wheel Location
	Dynamic Effect wheel Autorotation	
	000↔010	White
13	011↔131	Dynamic Effect Wheel Flow Effect, Clockwise, fast to slow
	132↔134	Stop
	135↔255	Dynamic Effect Wheel Flow Effect, Anticlockwise, slow to fast
	Prism	
	000↔010	White
	011↔155	Prism 0-360°
14	156↔157	Stop
	158↔205	Prism Insert And Positive Rotation (speed 100%→1)
	206↔207	Stop
	208↔255	Prism Insert And Reverse Rotation (speed 1→100%)
	Frost	
15	000↔10	WHITE
	011↔255	FROST→100%
16	000↔255	Electronic zoom
17	000↔255	Electronic Focus
18	000↔255	Electronic Focus-Fine Adjustment
	Auto focus	
	000↔012	NO FUNCTION
	013↔039	5m
	040↔066	7m
	067↔093	9m
	094↔120	11m
	121↔147	13m
19	148↔174	15m



CHANNEL	VALUE	FUNCTION
	175↔201	17m
	202↔228	19m
	229↔255	21m
20	Control	
	0 ↔ 1 5	No Function
	16 ↔ 39	Dim4 (Execute after 3 seconds)
	40 ↔ 63	Dim3 (Execute after 3 seconds)
	64 ↔ 87	Dim2 (Execute after 3 seconds)
	88 ↔ 111	Dim1 (Execute after 3 seconds)
	112↔135	Dim Off (Execute after 3 seconds)
	136↔159	All Reset (Execute after 3 seconds)
	160↔183	Color System Reset (Execute after 3 seconds)
	184↔207	Gobo Reset (Execute after 3 seconds)
	208↔231	Focus/zoom/frost/prism Reset (execute After 3 Seconds)
	232↔255	No Function

BASIC

CHANNEL	VALUE	FUNCTION
1	0 ↔ 255	Master Dimmer
2	Storbe	
	0 ↔ 9	No Function
	10 ↔ 99	Strobe From (slow To Fast ,0-25hz)
	100↔109	No Function
	110↔179	Lightning Strobe (slow To Fast)
	180↔189	No Function
	190↔255	Random Strobe
3	0 ↔ 255	Cyan
4	0 ↔ 255	Magenta
5	0 ↔ 255	Yellow
	CMY Macro	
	0 ↔ 19	No Function
	20↔21	2700K
	22↔23	3200K
	24↔25	3500K
	26↔27	4000K
	28↔29	4500K
	30↔31	5000K



CHANNEL	VALUE	FUNCTION
6	32↔ 33	5400K
	34↔ 35	5600K
	36↔ 37	6000K
	38↔ 39	6500K
	40↔ 41	6800K
	42↔ 43	L106
	44↔ 45	L194
	46↔ 47	L019
	48↔ 49	R08
	50↔ 51	L213
	52↔ 53	R80
	54↔ 55	L202
	56↔ 57	L328
	58↔ 59	R3314
	60↔ 61	L101
62↔ 63	L768	
64↔ 255	Macro Effect r->g->b->r	
7	Color wheel 7+1	
	000↔007	White
	008↔015	Color R1
	016↔023	Color R2
	024↔031	Color R3
	032↔039	Color R4
	040↔047	Color R5
	048↔055	Color R6
	056↔063	Color R7
	064↔191	Color wheel 0~360°
	192↔222	Color wheel rainbow effect (speed 100%->1)
	223↔224	Stop
	225↔255	Color wheel rainbow effect (speed 1-> 100%)
8	Rotating gobo 7+1	
	000↔010	White
	011↔018	Gobo1
	019↔026	Gobo2
	027↔034	Gobo3
	035↔042	Gobo4
	043↔050	Gobo5
051↔058	Gobo6	



CHANNEL	VALUE	FUNCTION
	059 ↔ 066	Gobo7
	067 ↔ 074	Gobo1 Shake (speed 1 → 100%)
	075 ↔ 082	Gobo2 Shake (speed 1 → 100%)
	083 ↔ 090	Gobo3 Shake (speed 1 → 100%)
	091 ↔ 098	Gobo4 Shake (speed 1 → 100%)
	099 ↔ 106	Gobo5 Shake (speed 1 → 100%)
	107 ↔ 114	Gobo6 Shake (speed 1 → 100%)
	115 ↔ 122	Gobo7 Shake (speed 1 → 100%)
	123 ↔ 127	White
	128 ↔ 190	Rotating Gobo Flowing Water Effect (speed 100% → 1)
	191 ↔ 192	Stop
	193 ↔ 255	Rotating Gobo Flowing Water Effect (speed 1 → 100%)
	Gobo rotating	
	000 ↔ 120	Rotating Gobo Angle Adjustment (0 → 360°)
	121 ↔ 125	Stop
	126 ↔ 165	Jitter (slow to fast)
9	166 ↔ 170	Stop
	171 ↔ 190	Rotating Gobo Positive Rotation (speed 100% → 1)
	191 ↔ 192	Stop
	193 ↔ 255	Rotating Gobo Reverse Rotation (speed 1 → 100%)
10	Dynamic Effect wheel Location	
	000 ↔ 255	Dynamic Effect wheel Location
	Dynamic Effect wheel Autorotation	
	0 ↔ 10	White
11	11 ↔ 131	Dynamic Effect Wheel Flow Effect, Clockwise, fast to slow
	132 ↔ 134	Stop
	135 ↔ 255	Dynamic Effect Wheel Flow Effect, Anticlockwise, slow to fast
	Prism	
	0 ↔ 10	White
	11 ↔ 155	Prism 0-360°
12	156 ↔ 157	Stop
	158 ↔ 205	Prism Insert And Positive Rotation (speed 100% → 1)
	206 ↔ 207	Stop
	208 ↔ 255	Prism Insert And Reverse Rotation (speed 1 → 100%)
	Frost	
13	0 ↔ 10	WHITE
	11 ↔ 255	FROST → 100%
14	0 ↔ 255	Electronic zoom
15	0 ↔ 255	Electronic Focus



CHANNEL	VALUE	FUNCTION
16	Auto focus	
	000 ↔ 012	NO FUNCTION
	013 ↔ 039	5m
	040 ↔ 066	7m
	067 ↔ 093	9m
	094 ↔ 120	11m
	121 ↔ 147	13m
	148 ↔ 174	15m
	175 ↔ 201	17m
	202 ↔ 228	19m
	229 ↔ 255	21m
17	Control	
	0 ↔ 15	No Function
	16 ↔ 39	Dim4 (Execute after 3 seconds)
	40 ↔ 63	Dim3 (Execute after 3 seconds)
	64 ↔ 87	Dim2 (Execute after 3 seconds)
	88 ↔ 111	Dim1 (Execute after 3 seconds)
	112 ↔ 135	Dim Off (Execute after 3 seconds)
	136 ↔ 159	All Reset (Execute after 3 seconds)
	160 ↔ 183	Color System Reset (Execute after 3 seconds)
	184 ↔ 207	Gobo Reset (Execute after 3 seconds)
	208 ↔ 231	Focus/zoom/frost/prism Reset (execute After 3 Seconds)
232 ↔ 255	No Function	