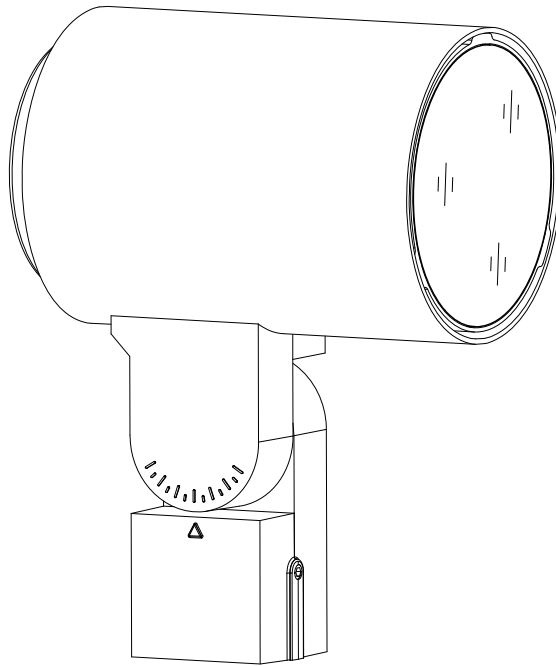


# GARNET ball M

## USER MANUAL



1. The luminaire shall be installed by a qualified electrician and wired in accordance with the latest IEE electrical regulations or the national requirements.
2. No supplied water-proof box, installation should be advised by qualified professional.
3. The external flexible cable can not be replaced. If the cable is damaged, the luminaire should be discarded.

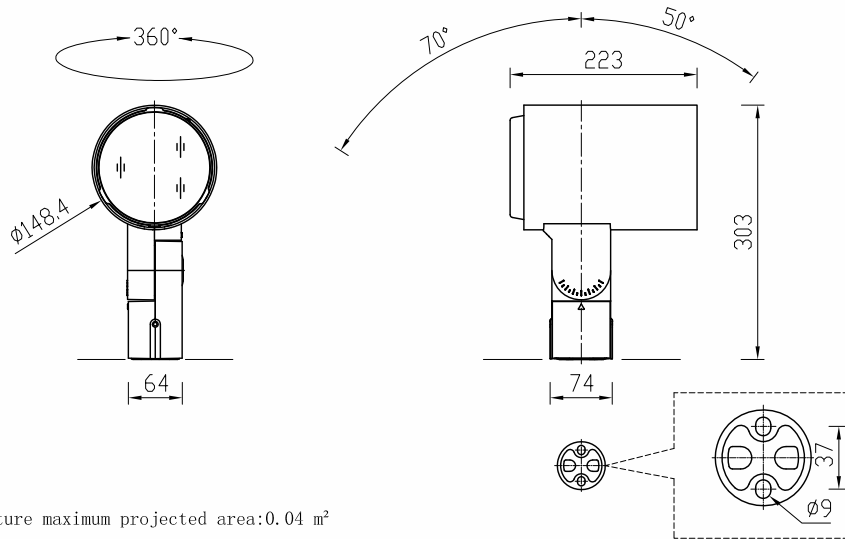


Enterprise statement:

① LED laser raditation of luminaire is not greater than the limit of Risk Group 1 under IEC62471 standard.

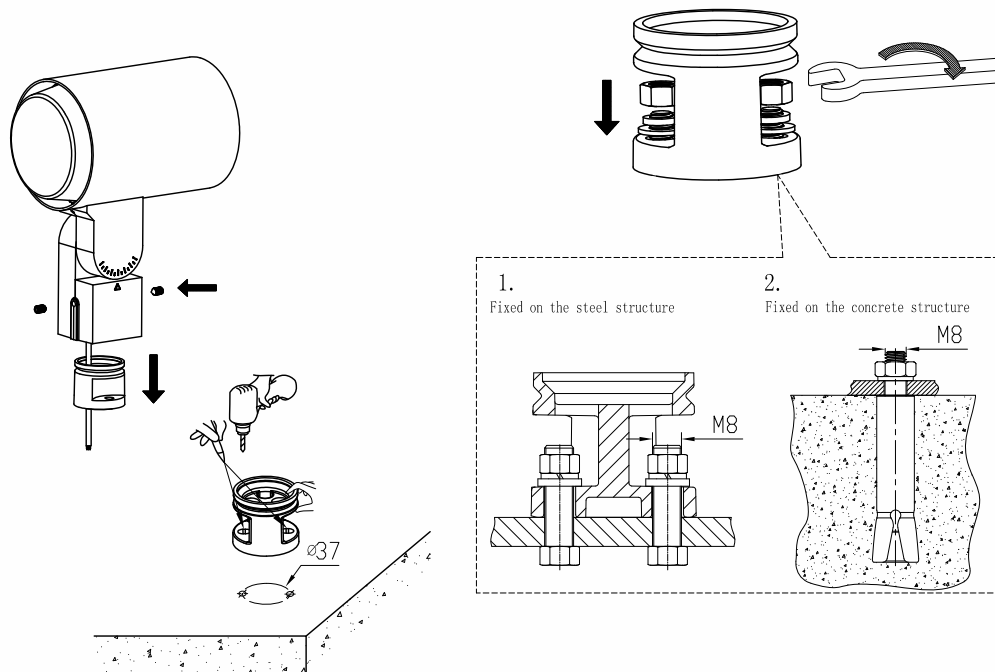
② DMX controller, AC/DC power supply could not be installed below the ground.

## 1 Size



The fixture maximum projected area: 0.04 m<sup>2</sup>

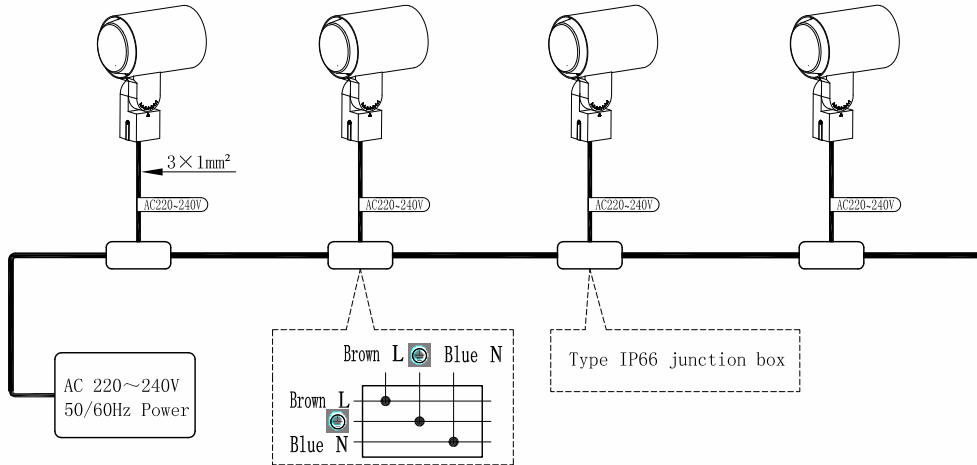
## 2 Lamp installation diagram



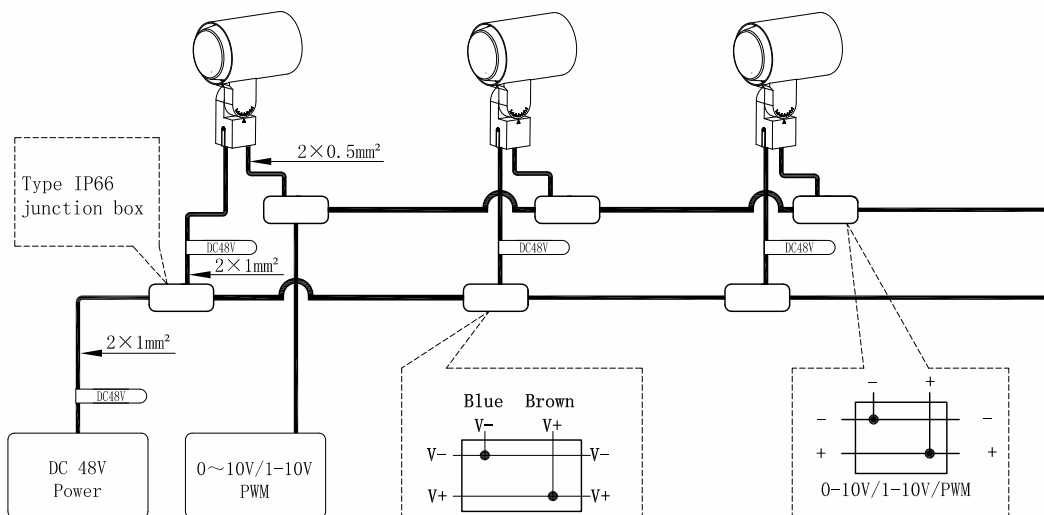


**3.1** Wiring Diagram

ON/OFF



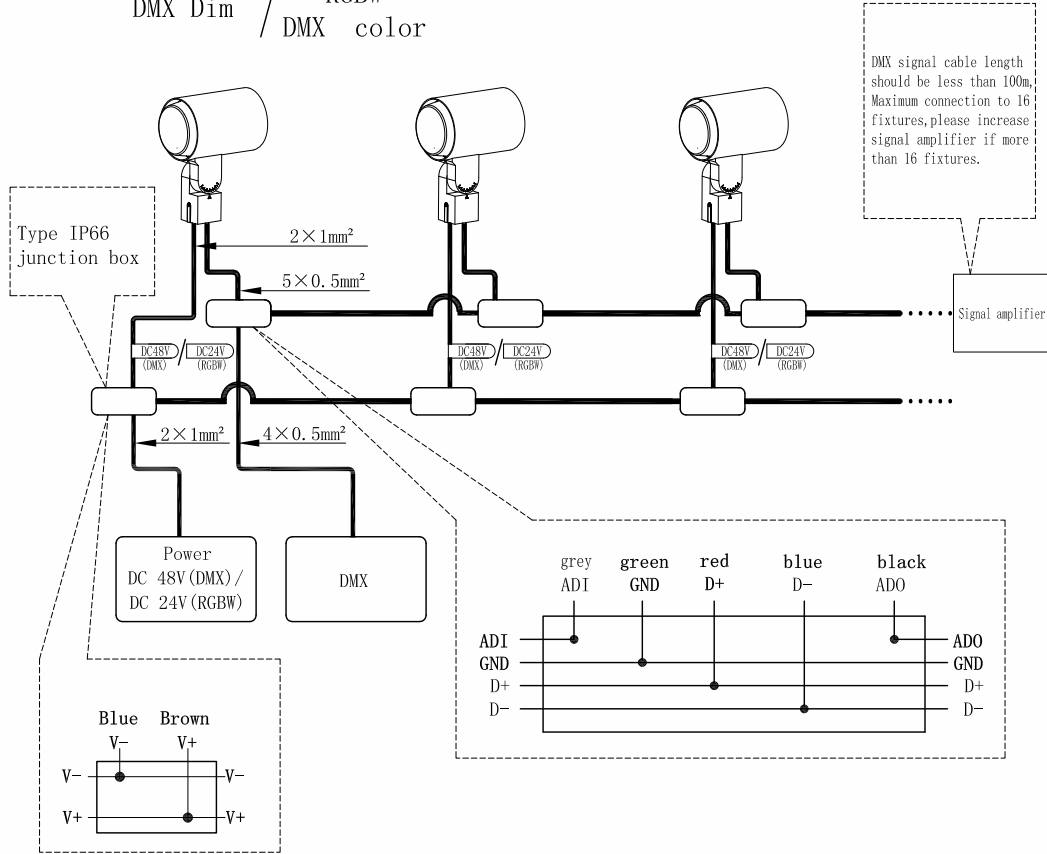
**3.2** 0/1-10V Dim / PWM Dim





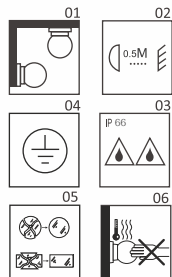
### 3.3

DMX Dim / RGBW  
DMX color



## Installation Instruction

### Attention:



01. The fitting is suitable for fixing to the wall and to the ceiling.
02. Always observe the minimum distance between the lamp and the surface being lit as indicated on the icon.
03. IP66: Protected against water jets
04. Protection class: the fitting has an earthing connection. The earth wire (yellow/green) has to be connected to the clip marked with ⊕.
05. Immediately replace a cracked or broken safety glass and use only manufacturer approved parts.
06. This luminaire contains in some places very hot parts.