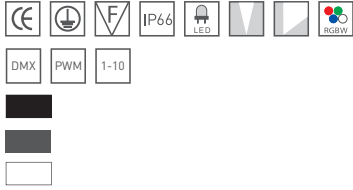


GARNET BALL XS

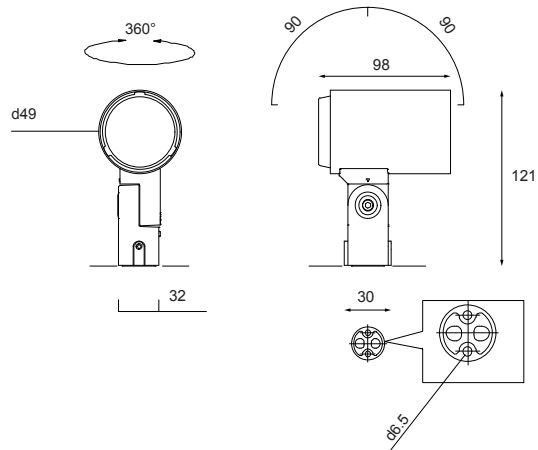


Multipurpose floodlights with built-in driver and adjustable head tilt to 90 degrees.



SPECIFICATION

Housing: Pressure die-cast aluminum alloy with polyester powder paint
 Glass: tempered glass T=3 mm, light transmission 93%
 Reflector: high purity aluminum
 Beam angle:
 symmetric: 7.5°, 12°, 22°, 38°
 asymmetric: 14x26°
 Housing color: Black, Grey, White
 IES protection classes: Class III (SELV)
 Color temperature, K: 2700K - 5000K
 Control system: DMX-512, Switch On\Off, 1-10V, PWM
 Input voltage, V: 24V
 Ingress Protection Rating, IP: IP66
 Color rendering index, CRI: 80
 Operating temperature: -25°C ~ +45°C
 Guaranteed lifetime, hours: >50 000h
 Installation: compatible with $\Phi 7.5-9.5$ mm cable. Complete with 1.2 m $2 \times 1 \text{mm}^2$ diameter 6-8 mm power cable.



Article	Name	Power, W	Dimensions, mm	Input voltage, V	Beam angle, degrees	Color temperature, K	Weight, kg
780022010	GARNET ball XS 2.5W On/Off IP66	2,5 W	d49x98x121	24V DC	7.5°, 12°, 22°, 38°, 14x26°	2700K - 5000K	0.48kg
780022110	GARNET ball XS 2.5W 0-10V IP66	2,5 W	d49x98x121	24V DC	7.5°, 12°, 22°, 38°, 14x26°	2700K - 5000K	0.48kg
780022512	GARNET ball XS 2.5W DMX-512 IP66	2,5 W	d49x98x121	24V DC	7.5°, 12°, 22°, 38°, 14x26°	2700K - 5000K	0.48kg

GARNET BALL S



Multipurpose floodlights with built-in driver and adjustable head till to 90 degrees.

SPECIFICATION

Housing: Pressure die-cast aluminum alloy with polyester powder paint

Glass: tempered glass T=3 mm, light transmission 93%

Beam angle:

symmetric: 9°, 16°, 28°, 52°

asymmetric: 10x45°

Housing color: Black, White, Grey

IES protection classes: Class III (SELV)

Color temperature, K: 2700K - 6500K, RGBW

Control system: DMX-512, Switch On\Off, 1-10V, PWM

Input voltage, V: 24V, 48V

Ingress Protection Rating, IP: IP66

Color rendering index, CRI: 80

Operating temperature: -25°C ~ +45°C

Guaranteed lifetime, hours: >50 000h

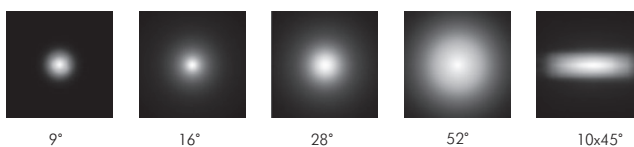
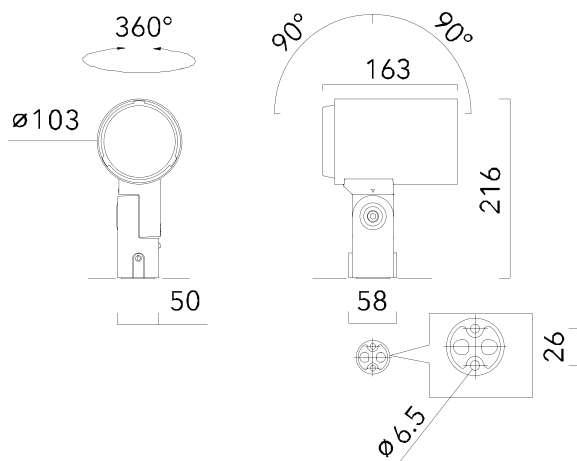
Installation:

On/Off version come with 1.2 metre 2x1 mm² diameter 6-8mm

power cable; DMX dim/RGBW version come with 1.2 metre

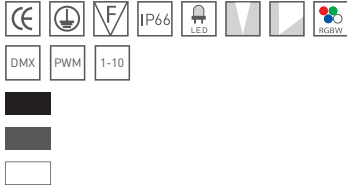
6x0.75 mm²

diameter 7.5-9.5 mm signal cable.



Article	Name	Power, W	Dimensions, mm	Input voltage, V	Beam angle, degrees	Color temperature, K	Weight, kg
781021010	GARNET ball S 20W On/Off IP66	20W	d103x163x216	48V DC	9°, 16°, 28°, 52°, 10°x45°	2700K - 6500K	1.8kg
781021110	GARNET ball S 20W 0-10V IP66	20W	d103x163x216	48VDC	9°, 16°, 28°, 52°, 10°x45°	2700K - 6500K	1.8kg
781021512	GARNET ball S 20W DMX-512 IP66	20W	d103x163x216	48V DC	9°, 16°, 28°, 52°, 10°x45°	2700K - 6500K	1.8kg
781022512	GARNET ball S 24W RGBW DMX-512 IP66	24W	d103x163x216	24V DC	9°, 16°, 28°, 52°, 10°x45°	RGBW	1.8kg

GARNET BALL M



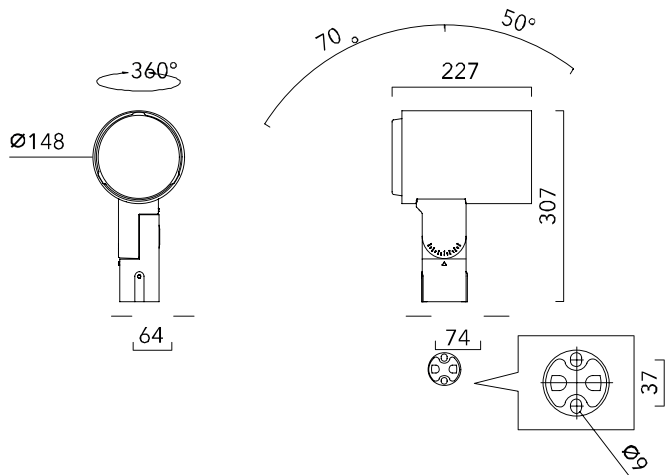
Multipurpose floodlights with built-in driver and adjustable head tilt to 90 degrees.



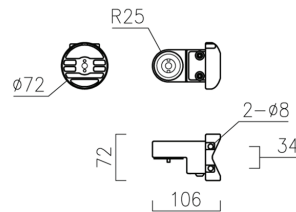
SPECIFICATION

Housing: Pressure die-cast aluminum alloy with polyester powder paint
 Glass: tempered glass T=3 mm, light transmission 93%
 Beam angle:
 symmetric: 9°, 15°, 30°, 51°
 asymmetric: 16x68°
 Housing color: Black, White, Grey
 IES protection classes: Class III (SELV)
 Color temperature, K: 2700K - 6500K, RGBW
 Control system: DMX-512, Switch On/Off, 1-10V, PWM
 Input voltage, V: 48V, 220V
 Ingress Protection Rating, IP: IP66
 Color rendering index, CRI: 80
 Operating temperature: -25°C ~ +45°C
 Guaranteed lifetime, hours: >50 000h

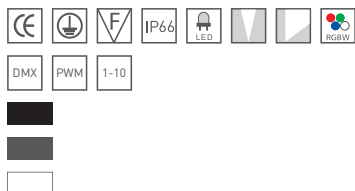
Installation:
 On/Off version come with 1.2 metre 2x1mm² diameter 6-8mm power cable; DMX dim/RGBW version come with 1.2 metre 6x0.75 mm² diameter 7.5-9.5 mm signal cable.



800010112
 Mounting - cantilever lever



Article	Name	Power, W	Dimensions, mm	Input voltage, V	Beam angle, degrees	Color temperature, K	Weight, kg
782040010	GARNET ball M 40W On/Off IP66	40W	d148x227x307	220V AC	9°, 15°, 30°, 51°, 16°x68°	2700K - 6500K	3.5kg
782040110	GARNET ball M 40W 0-10V IP66	40W	d148x227x307	220V AC	9°, 15°, 30°, 51°, 16°x68°	2700K - 6500K	3.5kg
782040512	GARNET ball M 40W DMX-512 IP66	40W	d148x227x307	48V DC	9°, 15°, 30°, 51°, 16°x68°	2700K - 6500K	3.5kg
782042512	GARNET ball M 45W RGBW DMX-512 IP66	45W	d148x227x307	48V DC	9°, 15°, 30°, 51°, 16°x68°	RGBW	3.5kg
800010112	GARNET ball cantilever lever		d72x72x106				0.5kg



Multipurpose floodlights with built-in driver and adjustable head tilt to 90 degrees.



SPECIFICATION

Housing: Pressure die-cast aluminum alloy with polyester powder paint

Glass: tempered glass T=4 mm, light transmission 93%

Beam angle:

symmetric: 9°, 16°, 27°, 51°

asymmetric: 17x80°

Housing color: Black, White, Grey

IES protection classes: Class III (SELV)

Color temperature, K: 2700K - 6500K, RGBW

Control system: DMX-512, Switch On/Off, 1-10V, PWM

Input voltage, V: 220V

Ingress Protection Rating, IP: IP66

Color rendering index, CRI: 80

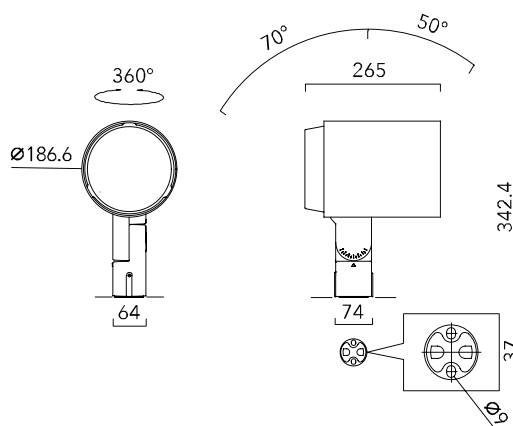
Operating temperature: -25°C ~ +45°C

Guaranteed lifetime, hours: >50 000h

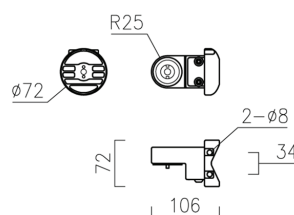
Installation:

On/Off version come with 1.2 metre 3x1mm² diameter 6-8 mm power cable;

DMX dim/RGBW version come with 1.2 metre 3x1mm² diameter 6-8mm power cable and 1.2 metre 5x0.75 mm² diameter 7.5-9.5 mm signal cable.



800010112
Mounting - cantilever lever



Article	Name	Power, W	Dimensions, mm	Input voltage, V	Beam angle, degrees	Color temperature, K	Weight, kg
783070010	GARNET ball L 65W On/Off IP66	65W	d187x265x343	220V AC	9°, 16°, 27°, 51°, 17°x80°	2700K - 6500K	7kg
783070110	GARNET ball L 65W 0-10V IP66	65W	d187x265x343	220V AC	9°, 16°, 27°, 51°, 17°x80°	2700K - 6500K	7kg
783070512	GARNET ball L 65W DMX-512 IP66	65W	d187x265x343	220V AC	9°, 16°, 27°, 51°, 17°x80°	2700K - 6500K	7kg
783080512	GARNET ball L 60W RGBW DMX-512 IP66	60W	d187x265x343	220V AC	9°, 16°, 27°, 51°, 17°x80°	RGBW	7kg
800010112	GARNET ball cantilever lever		d72x72x106				0.5kg