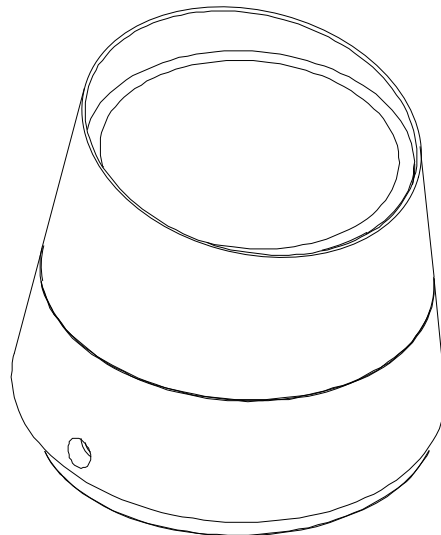


GARNET GLOW GR

USER MANUAL

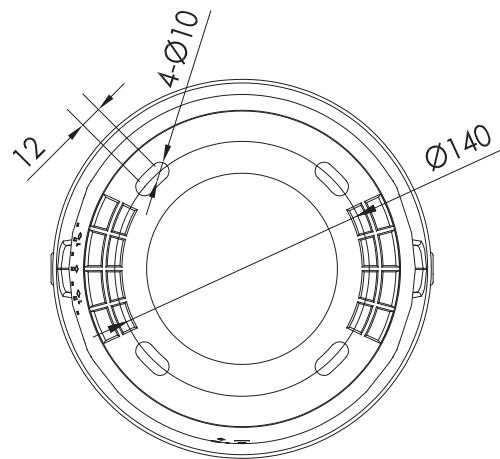
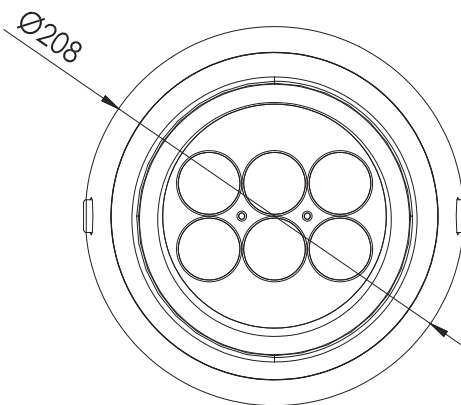
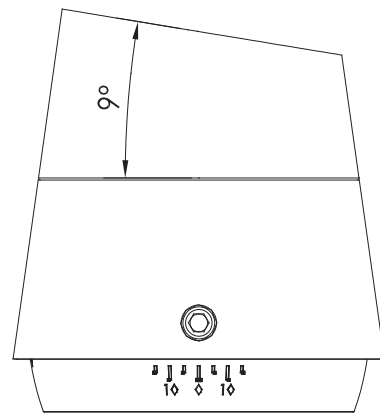
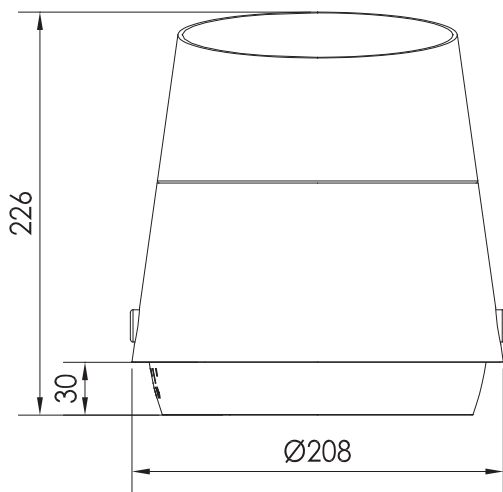


1. The luminaire shall be installed by a qualified electrician and wired in accordance with the latest IEE electrical regulations or the national requirements.
2. No supplied water-proof box, installation should be advised by qualified professional.
3. The external flexible cable can not be replaced. If the cable is damaged, the luminaire should be discarded.

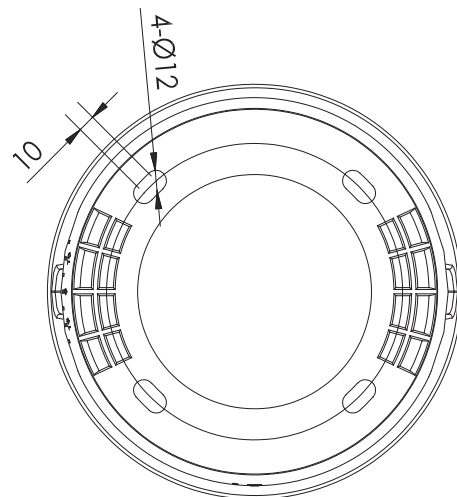
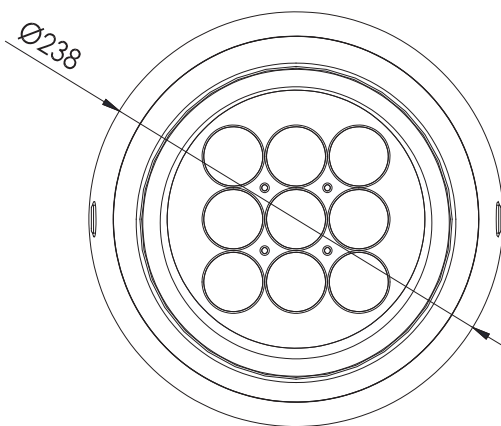
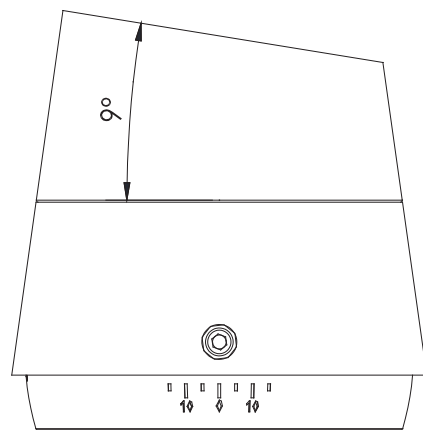
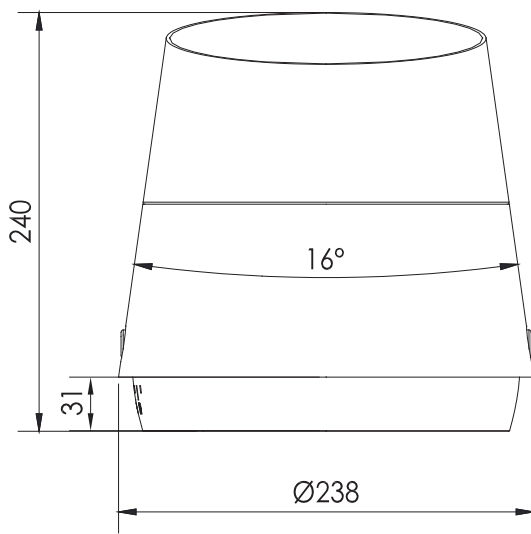


IMG
L I G H T I N G

GARNET GLOW GR S



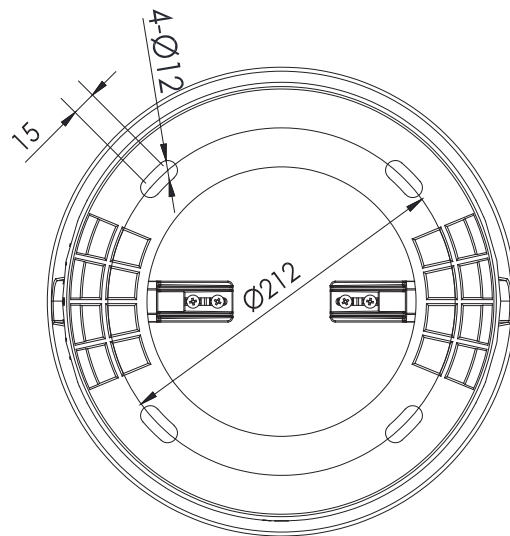
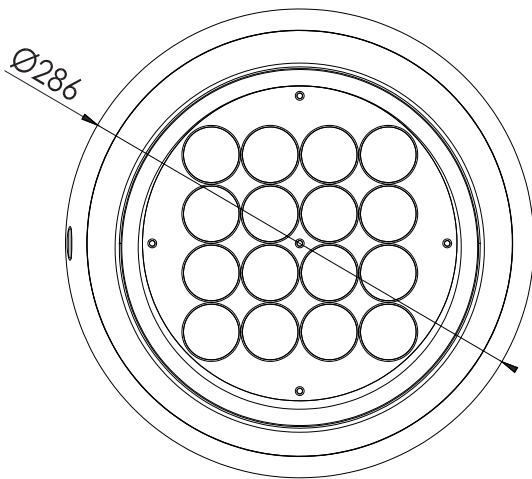
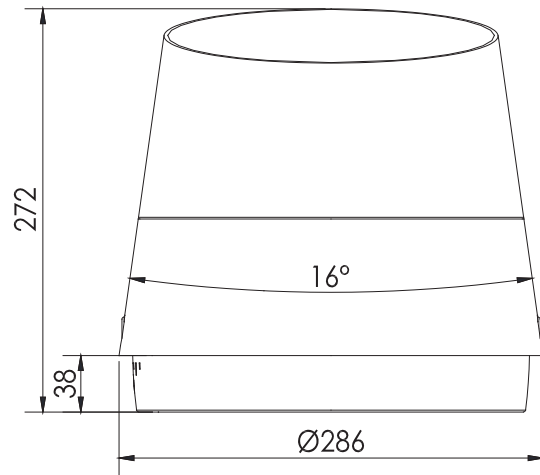
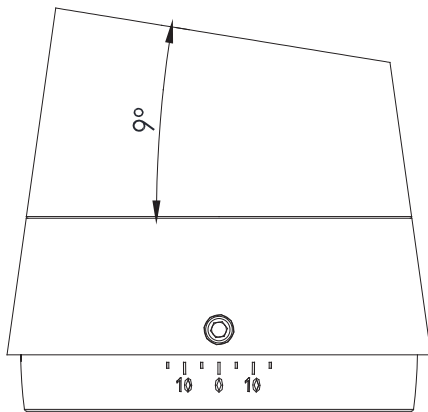
GARNET GLOW GR M





IMG
L I G H T I N G

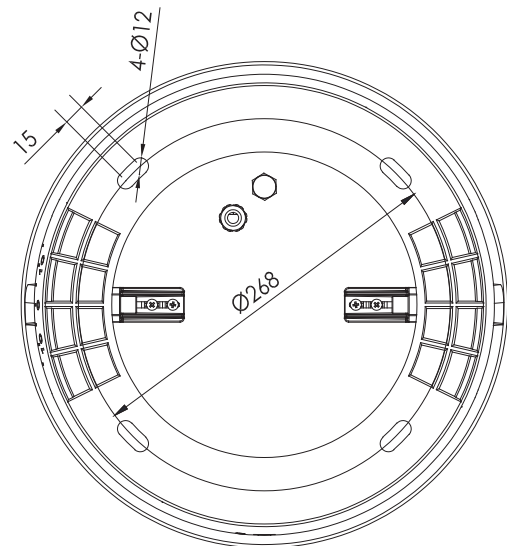
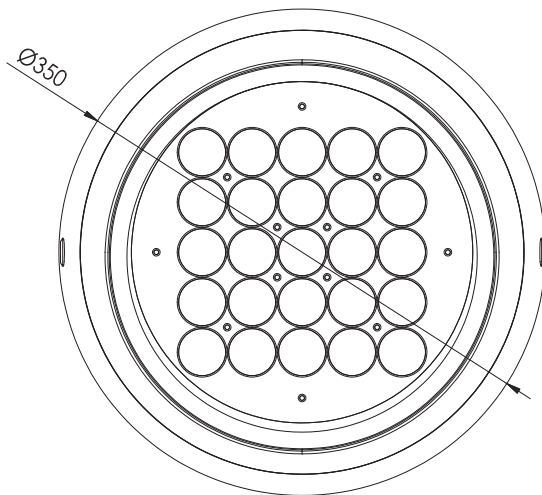
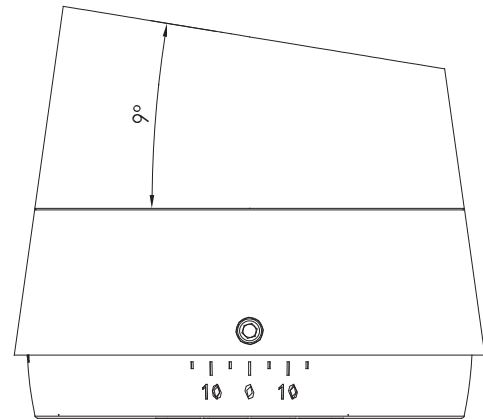
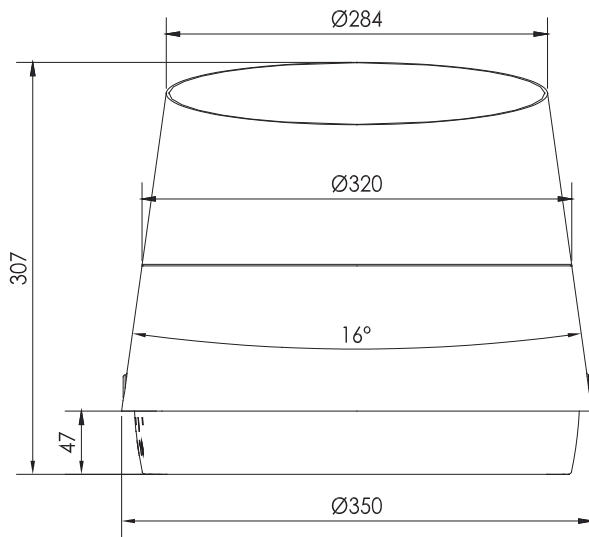
GARNET GLOW GR L





IMG
LIGHTING

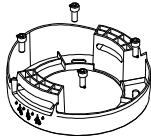
GARNET GLOW GR XL



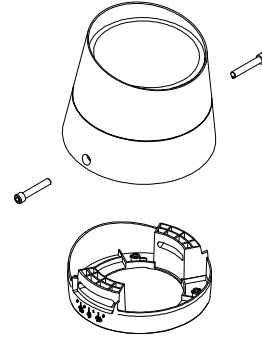


USER MANUAL

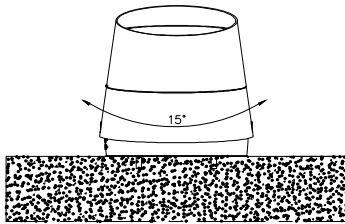
1



2



3



4

