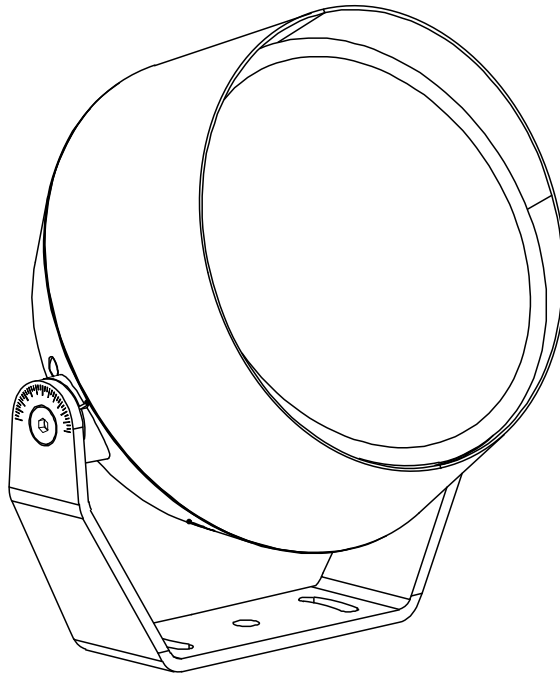


# GARNET GLOW L

## USER MANUAL



1. The luminaire shall be installed by a qualified electrician and wired in accordance with the latest IEE electrical regulations or the national requirements.
2. No supplied water-proof box, installation should be advised by qualified professional.
3. The external flexible cable can not be replaced. If the cable is damaged, the luminaire should be discarded.



**! Warning:**

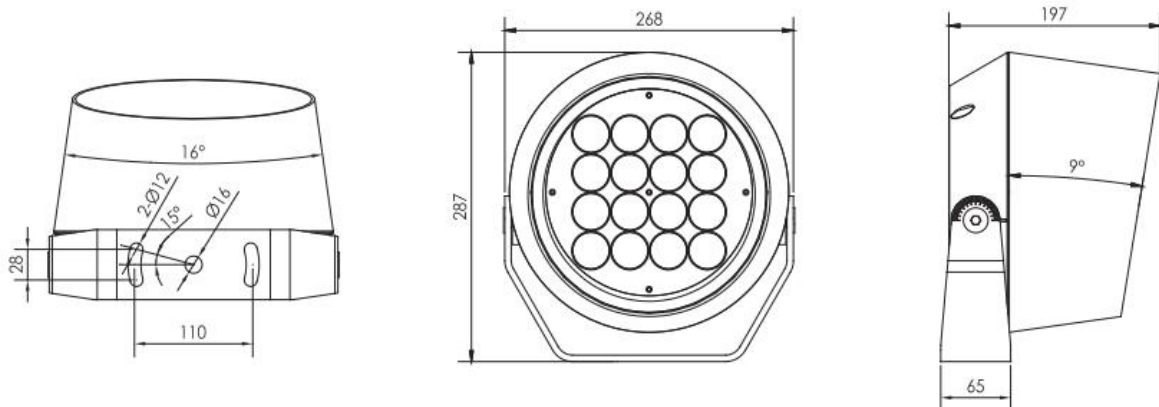
Confirm the correct connection method, incorrect connection can lead to improper work, and even damage.

If install wrong, it may fall off.

Refer to installation instruction for installing.

**I. Product Introduction:**

- The fixture is LED luminaire.
- Surface/Wall installation method.
- ADC12 Die-casting aluminum, High-intensity tempered glass, PMMA optical lens, Silicone waterproof sealed
- Isolated space for PCB and diver keeps rapid and stable the heat dissipation.
- Ingress protection is IP65
- Electrical class: Class I



## II. Technical specification :

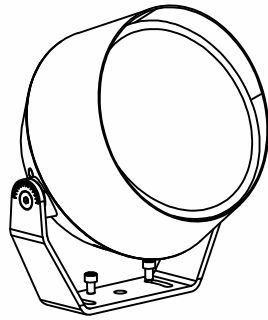
Items	LED Brand	LED Q'ty	Wattage	Color Temperature
GARNET GLOW L	CREE	16pcs	60-120W	RGBW4IN1
	Input Voltage/Frequency 100-240V AC 36V	Control Model DMX512	Working Current /	Power Factor /
Lamp Dimension(mm)	Cutout Dimension(mm)	Net Weight	Ambient Temperature -45°C ~ +55°C	Life Time(hr)
Φ320	/	6kgs		50000

## III. Observe the following dos and don'ts

1. Install in the IP 65 environment or beneath the IP65.
2. Prohibit punching any position of lamps
3. Please turn off the power and contact the dealer for problems in connection or other abnormal cases.
4. Installed by the qualified electrician holding a certificate.
5. Prohibit operating the lamps beyond the voltage scope as nation stipulated
6. Don't make the external power cable exposed during wiring.

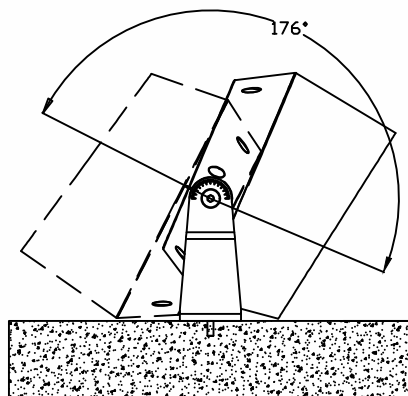
#### IV. Installation Instructions

1. According to step ①②, fix the bracket on the mounting surface.

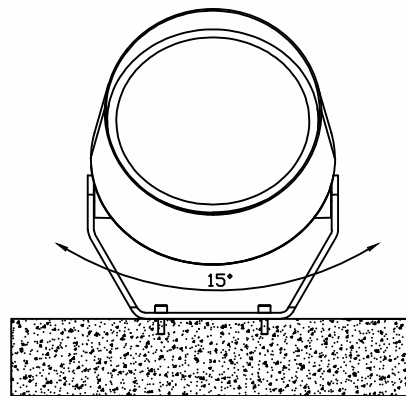


Step ①

2. According to step ③, connect the wire through the hole of the bracket and fix it



Step ②



Step ③

3. According to step② ③, fix and adjust the bracket as your project needed.

#### 4. Notes

The fixture must get reliable connection with the mounting surface, any screws in the lamps should not be arbitrarily loosed. There is no special requirement on the installation direction.

V. Remarks for the cables.

When you get the fixture, please check and find the relative version and confirm its Color Temperature, Electrical class, the cable out.

**Attention:** ■ When you get the fixtures is class III, please use a transformation to light. ■ When you get the RGB DMX512 fixture, please accurately connect the DMX cables, otherwise, it will influence the regular work.

CABLES OUT FOR DIFFERENT COLOR TEMPERATURE AND ELECTRICAL CLASS			
√ <u>VERSION 1</u>		× <u>VERSION 2</u>	
Single Color × WW    × CW		√ RGBW (DMX512)	
√ Class I	L, N, E	Class III	Power cable: 2pin1 V+ /Red wire,    V- /Blue wire
Class III × DC36V × DC24V × DC12V	V+ /Red wire V- /Blue wire	× DC36V × DC24V × DC12V	DMX IN cable: 3pin1 ■DMX+    Red wire ■DMX-    Blue wire ■GND      Green wire