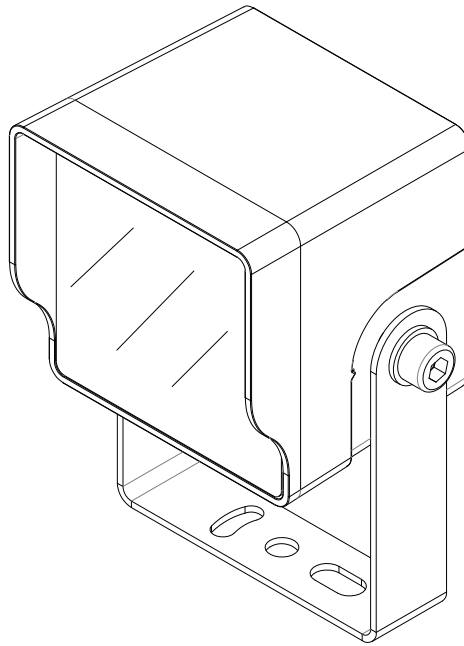


# LIBRA Tracker S

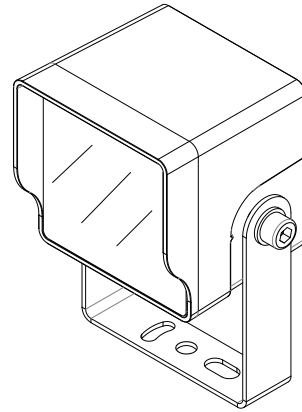
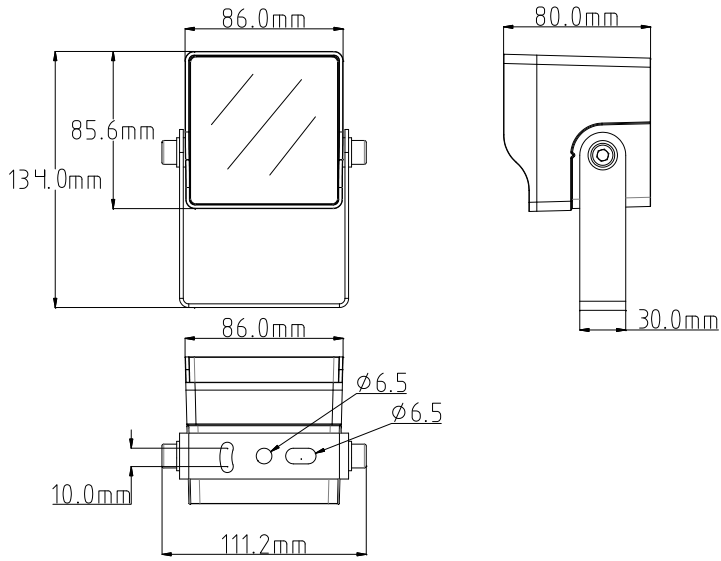
## USER MANUAL



1. The luminaire shall be installed by a qualified electrician and wired in accordance with the latest IEE electrical regulations or the national requirements.
2. No supplied water-proof box, installation should be advised by qualified professional.
3. The external flexible cable can not be replaced. If the cable is damaged, the luminaire should be discarded.

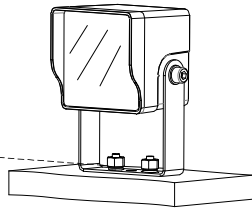
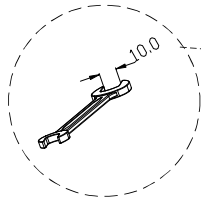


**IMG**  
L I G H T I N G

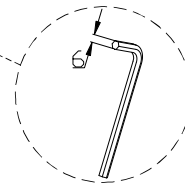
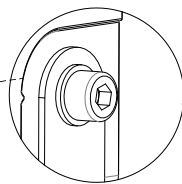
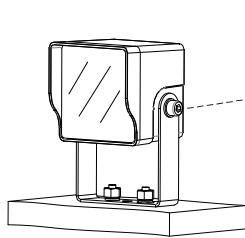


**1**

Torque 15N. M



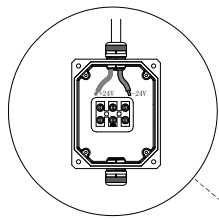
**2**



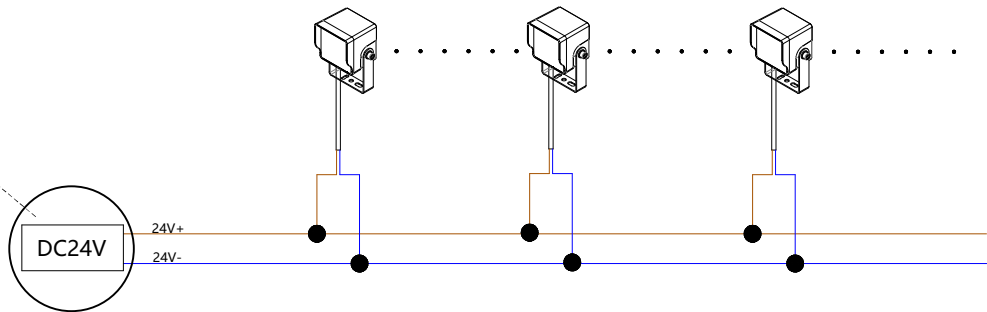
Torque 13N. M



**IMG**  
L I G H T I N G



Waterproof Box



## DMX

