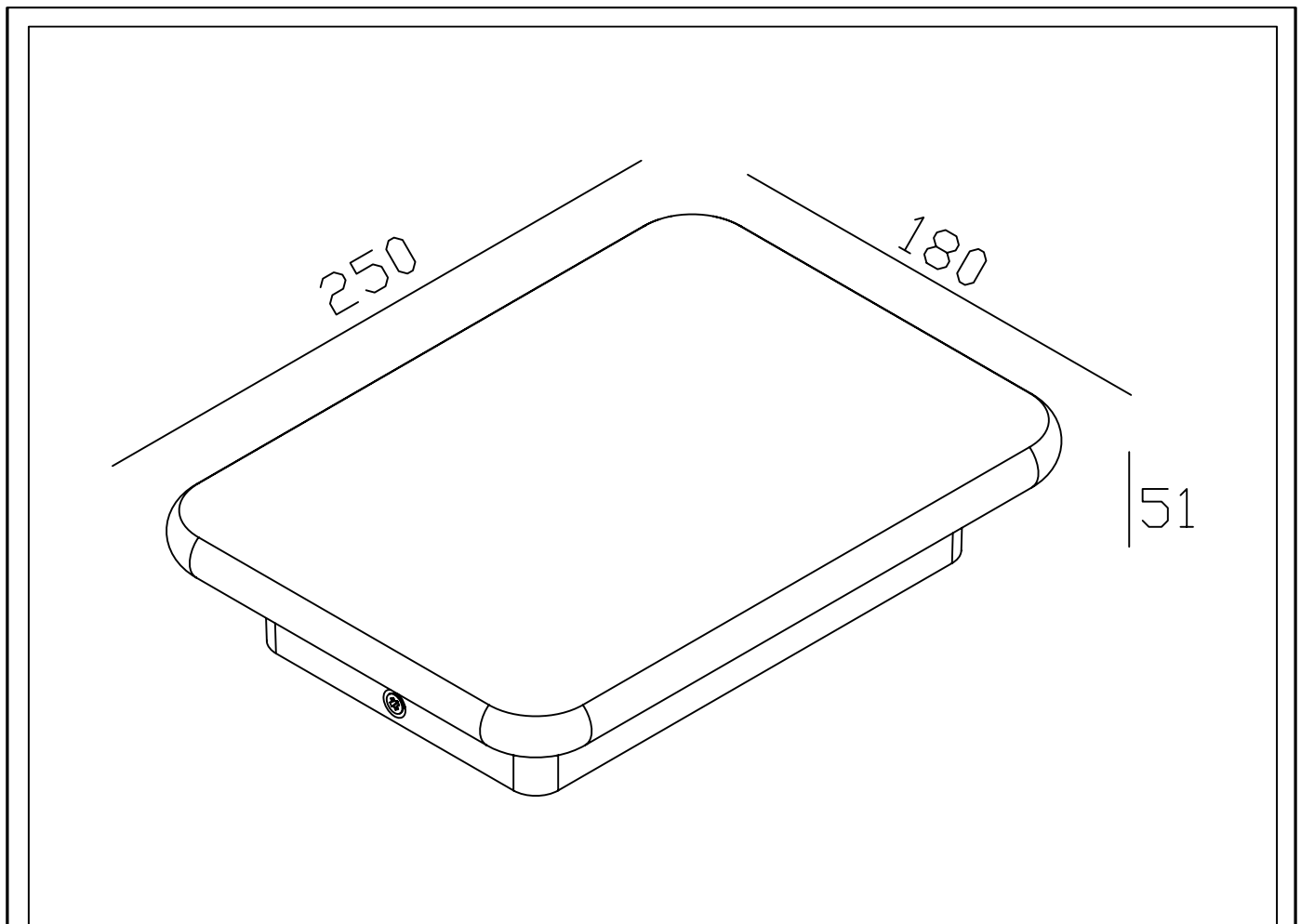


SPIRIT

USER MANUAL

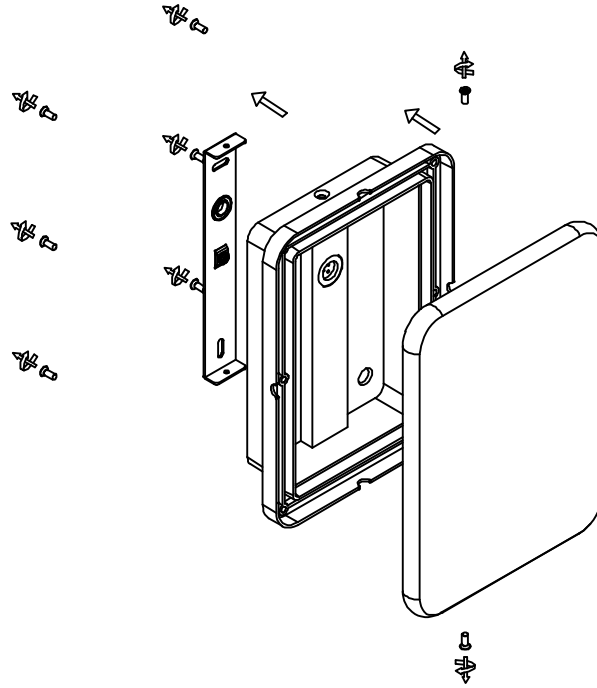


1. The luminaire shall be installed by a qualified electrician and wired in accordance with the latest IEE electrical regulations or the national requirements.
2. No supplied water-proof box, installation should be advised by qualified professional.
3. The external flexible cable can not be replaced. If the cable is damaged, the luminaire should be discarded.

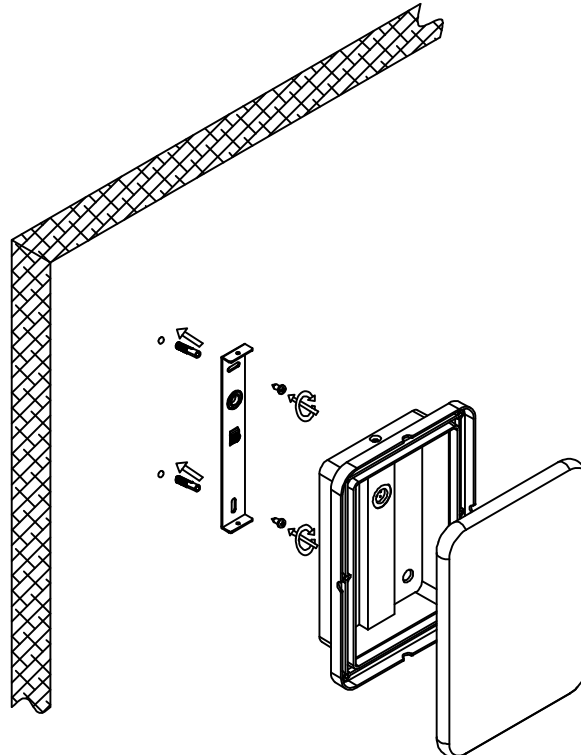


IMG
L I G H T I N G

1.



2.



IMG
L I G H T I N G

IMG LIGHTING

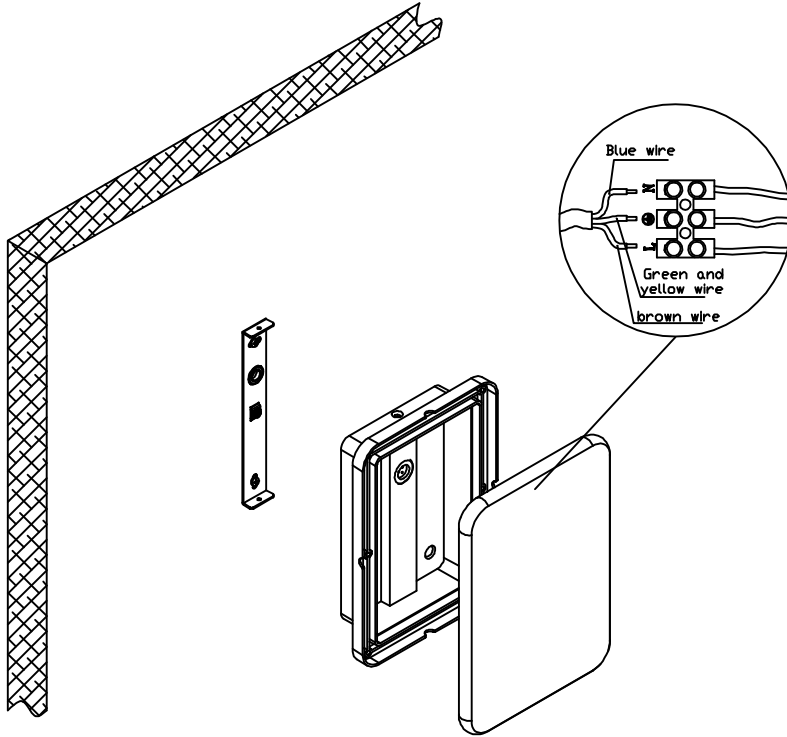
Wandsbeker Straße 3-7
Hamburg, Germany
info@img-lighting.com

www.img-lighting.com

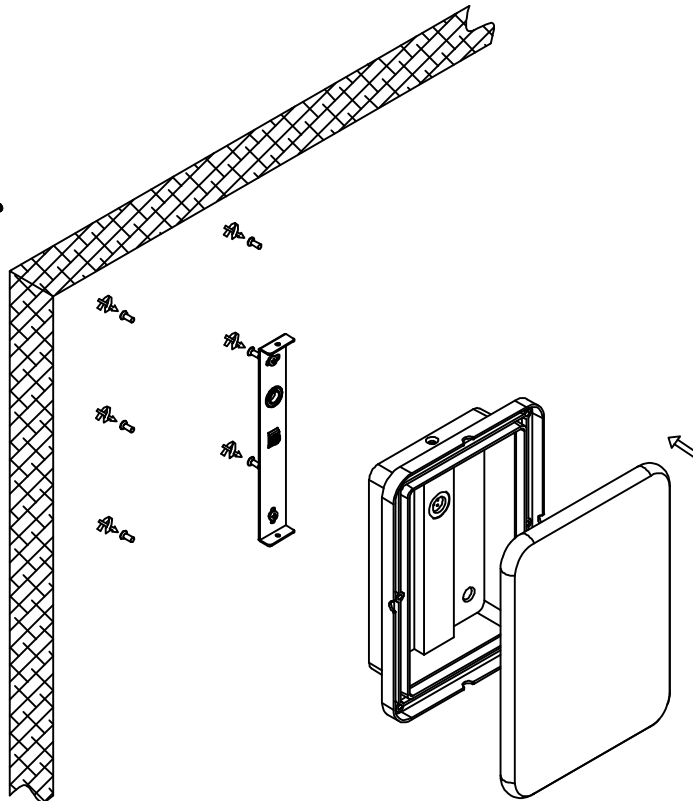


IMG
LIGHTING

3.

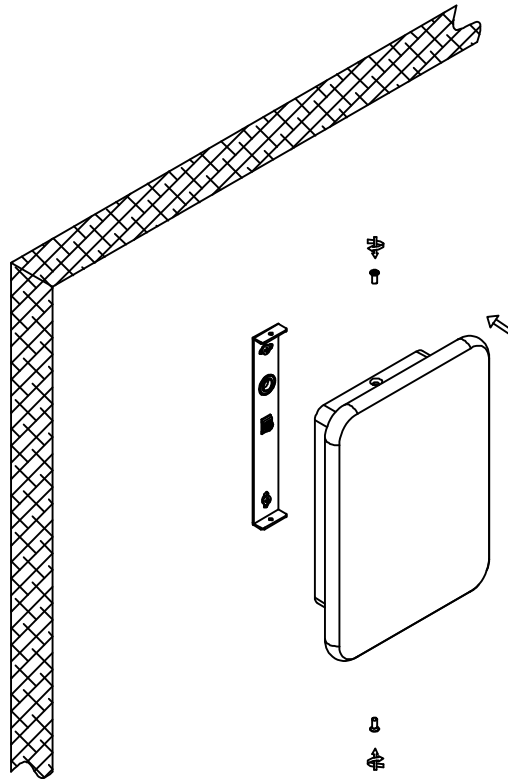


4.





5.



6.

