



RAL



SPECIFICATION

Housing: Pressure die-cast aluminum alloy with polyester powder paint.

Beam angle: 7°, 15°, 20°, 30°

Housing color: Black, RAL

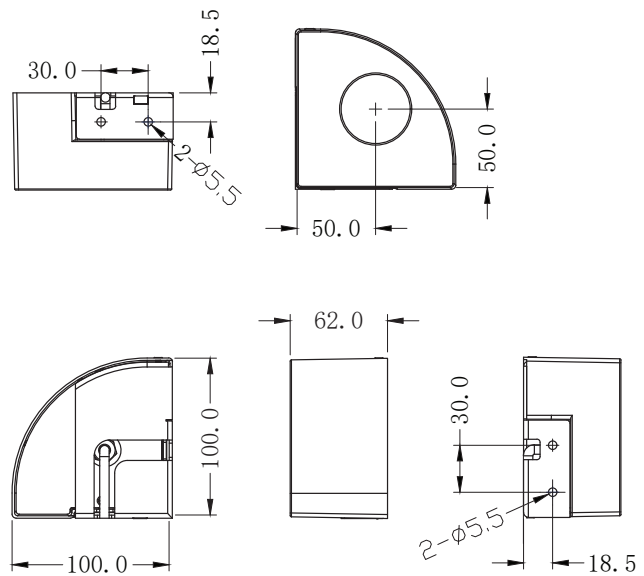
Color temperature, K: 2700K - 5700K

Input voltage, V: 24V,

Ingress Protection Rating, IP: IP66

Color rendering index, CRI: >80

Operating temperature: -40°C ~ +55°C



Article	Name	Power, W	Dimensions, mm	Input voltage, V	Beam angle, degrees	Color temperature, K	Weight, kg
536006010	STEP Cone 6W single color 24V IP66	6W	100x100x62	24V	7°, 15°, 20°, 30°	2700K-5700K	0.8kg
536008010	STEP Cone 8W single color 24V IP66	8W	100x100x62	24V	7°, 15°, 20°, 30°	2700K-5700K	0.8kg