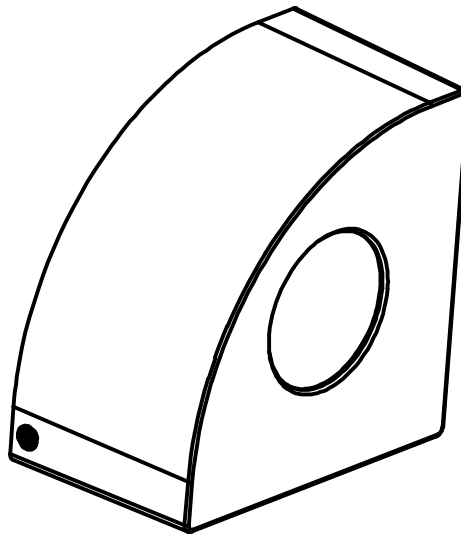


# STEP CONE

## USER MANUAL



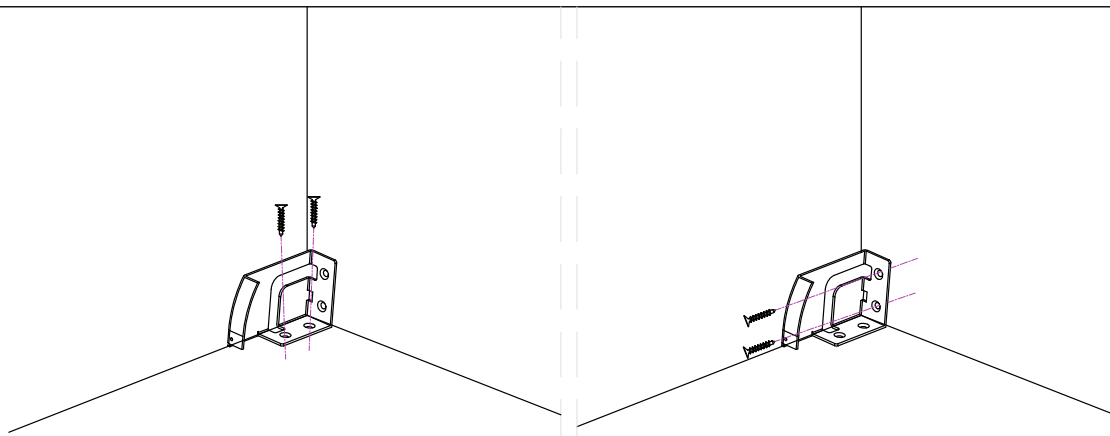
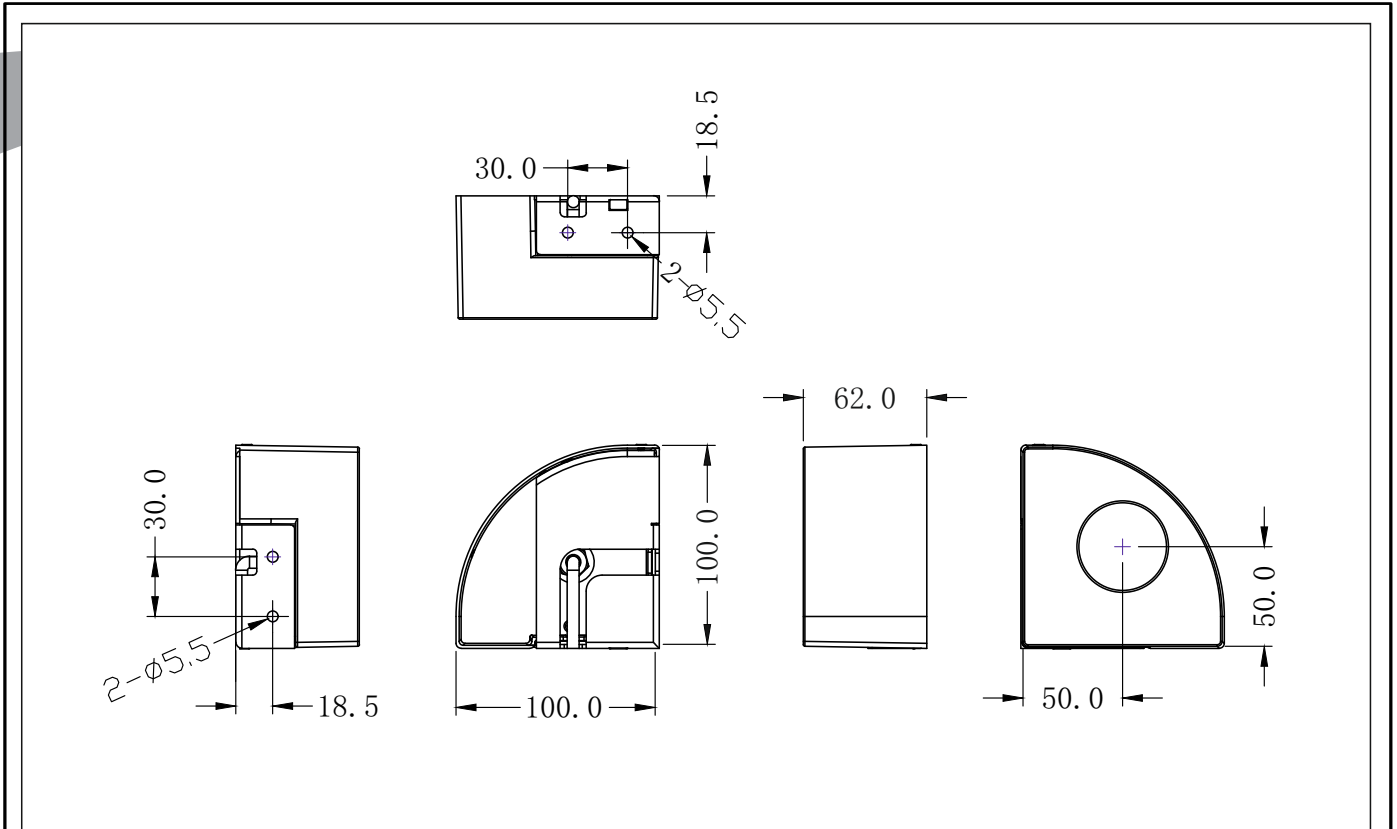
After assembly, fix the side screws

**Installation Precautions:**

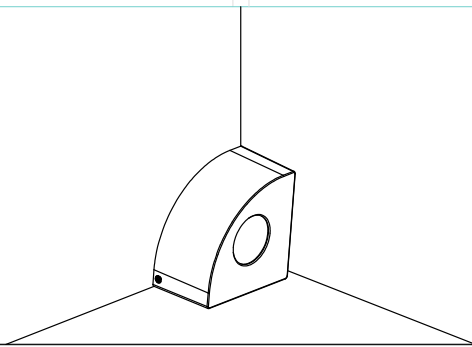
1. Before installation, please check whether the voltage marked on the floodlight is consistent with the input voltage to be connected, so as not to damage the lamp;
2. Before installation, ensure that the installation position can withstand 10 times the weight of the product, and install it in a flat place without vibration, no swing, no fire hazard.
3. If the external cable of the luminaire is damaged, the line should be replaced by the manufacturer or a qualified person to avoid danger;
4. The lamp lead-out wire and power supply wiring should be waterproofed.



**IMG**  
L I G H T I N G



Mount the bottom bracket on the wall or on the ground.



IMG LIGHTING

Wandsbeker Straße 3-7  
Hamburg, Germany  
info@img-lighting.com

[www.img-lighting.com](http://www.img-lighting.com)