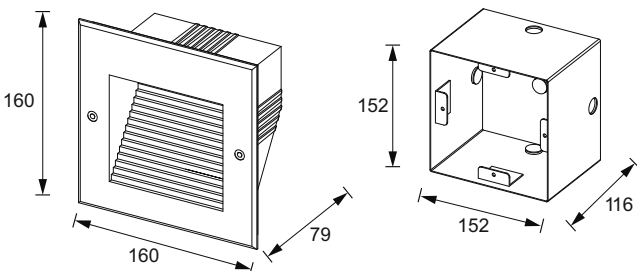
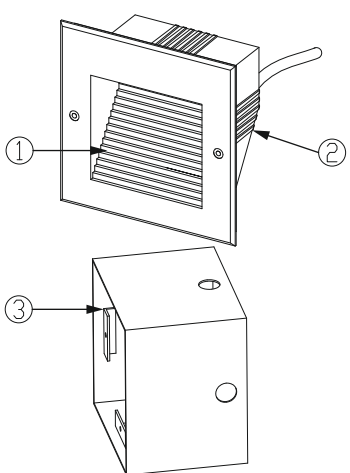



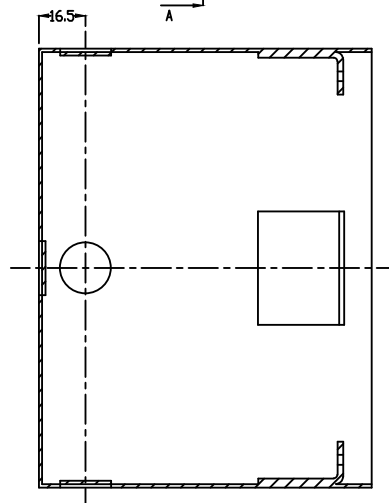
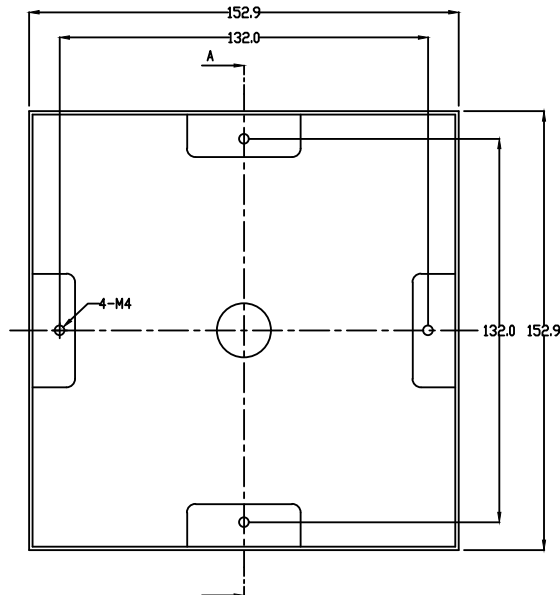
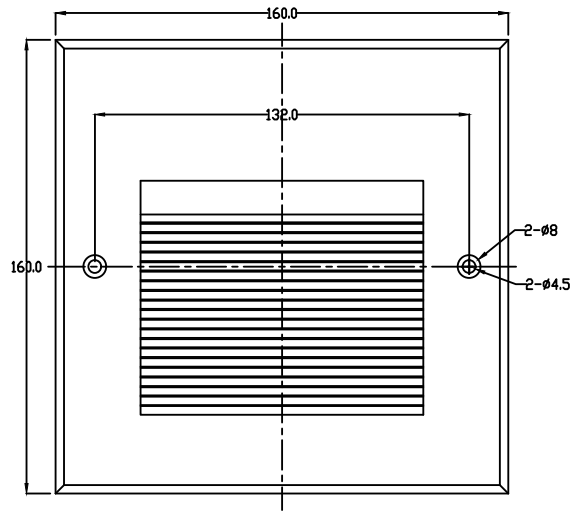
# TABLERON SQ 2W

## USER MANUAL

OUTLINE DIMENSION	BOM
	 <p>① Front cover          ② Housing          ③ Sleeve</p>
<div style="border: 1px solid black; padding: 5px; width: fit-content;">Unit: mm</div>	
<div style="display: flex; align-items: flex-start;"> <div style="margin-right: 20px;">  </div> <div> <p>1. The luminaire shall be installed by a qualified electrician and wired in accordance with the latest IEE electrical regulations or the national requirements.</p> <p>2. No supplied water-proof box, installation should be advised by qualified professional.</p> <p>3. The external flexible cable can not be replaced. If the cable is damaged, the luminaire should be discarded.</p> </div> </div>	



**IMG**  
L I G H T I N G



A-A

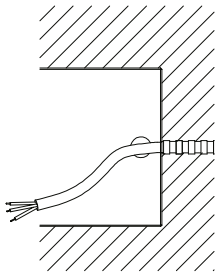


Note: The drawing was show a general introduction to this description.  
When the discrepancy between the actual product and drawing,  
please all to the actual products.

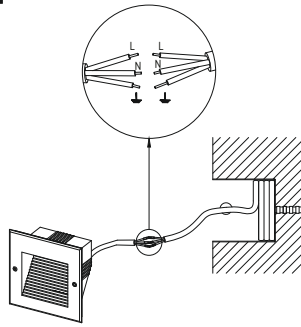
## 1. FEATURES

- This product is a Low power LED step/wall light.
- The standard color temperature of white is in range 5500-6500k; warm white is in range 2700-3200k.
- The standard input voltage is 100-120V and 220-240V, totally 2 type.
- The main material of this product is aluminum, surface coating is only suitable for natural environment, don't install this product near the sea water or in the environment which is high salty or high acid.
- This is IP65 grade product, don't put fixture into water.
- Applicable environment temperature:  $-20^{\circ}\text{C} < \text{fixture} < +40^{\circ}\text{C}$

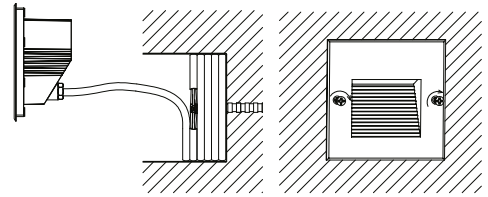
## 2. INSTALLATION



- ① Put the sleeve into the wall, the side should on the same level with the wall surface .cable need to go through the sleeve.



- ② Connect the cable with the light, keep enough length for the maintain.

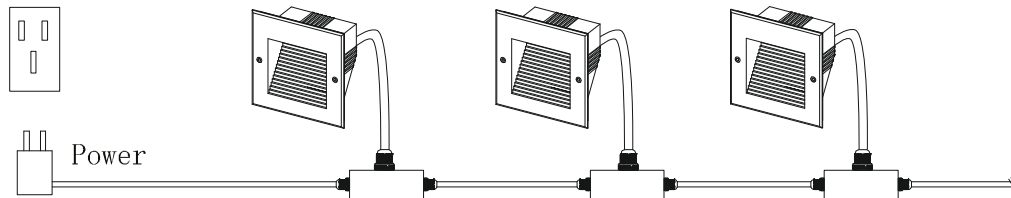


- ③ Put the light fixture into the sleeve and fix the fixture light with sleeve by screw on two side of cover.

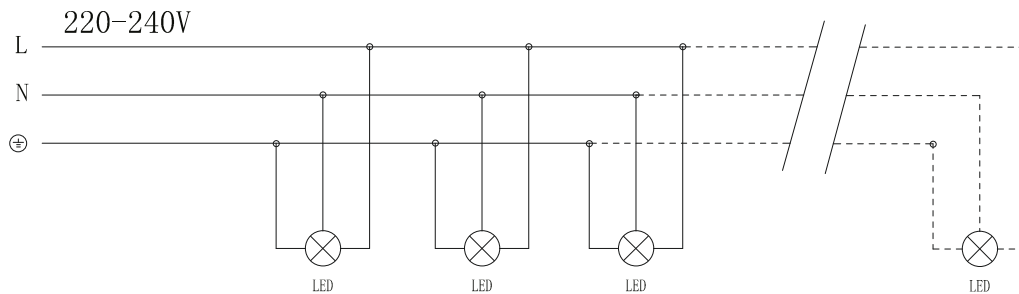
### 3.WIRING DIAGRAM

3.1: High voltage single color fitting: refer to the following recommended wiring method.

Example of wiring:



220-240VAC: circuit of product



### 4.SPECIFICATIONS

4. 1.Material specifications:

Housing:	12# Die-casting aluminum grey powder coated, T=60-80um. Adhesion of ISO class 1/ASTM class 4B
Front cover:	12# Die-casting aluminum PT877U powder coated T=20-30um. Adhesion of ISO class 1/ASTM class 4B
Gasket:	Molding shaped silicone seal
Power cable:	H05RN-F 3×1.0mm <sup>2</sup> L=0.5m (high voltage)
Mounting sleeve:	Zinc-coated steel 136#
Cable gland:	IP67 copper and nickle coated
LED:	SMD3528 type power LED
Driver:	Constant current output

4. 2.Electrical parameters:

Light source	Degree(°)	Input voltage(v)	Typical oprating current(mA)	Typical consumption(W)	Typical luminance(lm)	IK rate
18×SMD3528	120	240	17	1.8	Cool white=59 Warm white=48	10