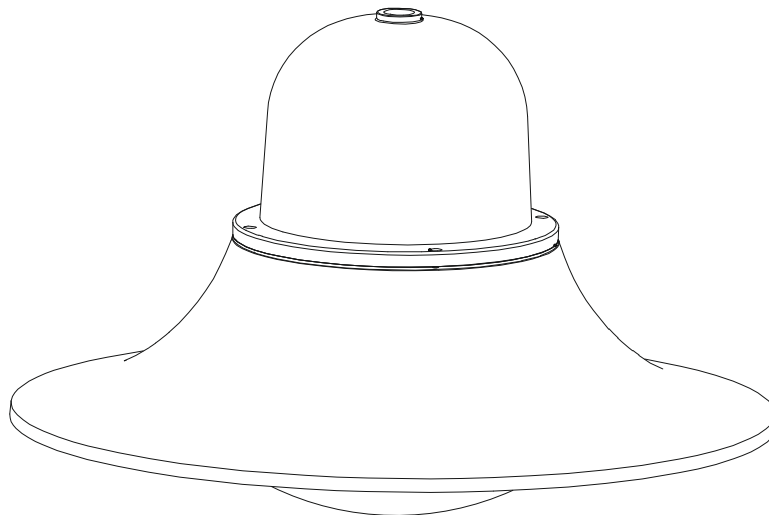


# TALIP

## USER MANUAL

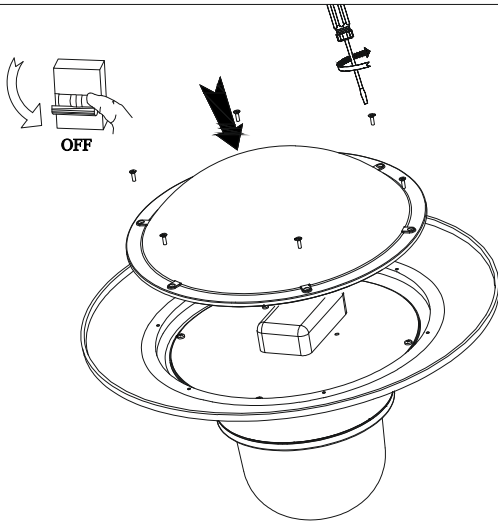


1. The luminaire shall be installed by a qualified electrician and wired in accordance with the latest IEE electrical regulations or the national requirements.
2. No supplied water-proof box, installation should be advised by qualified professional.
3. The external flexible cable can not be replaced. If the cable is damaged, the luminaire should be discarded.

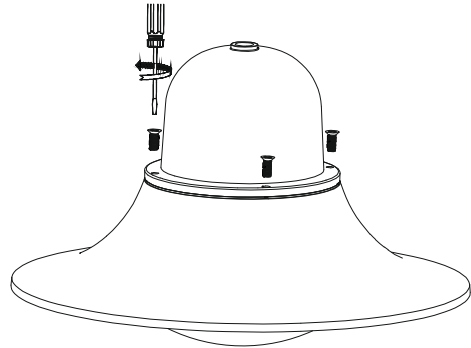


**IMG**  
LIGHTING

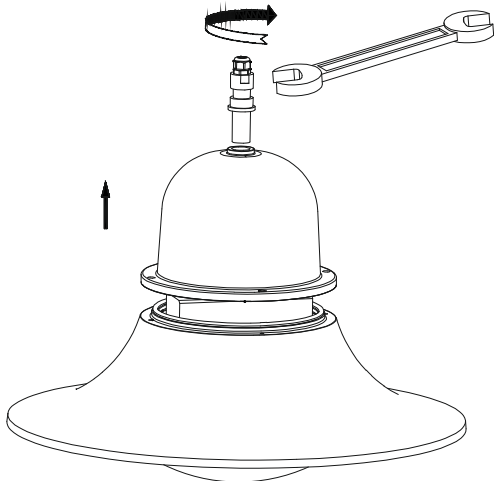
①



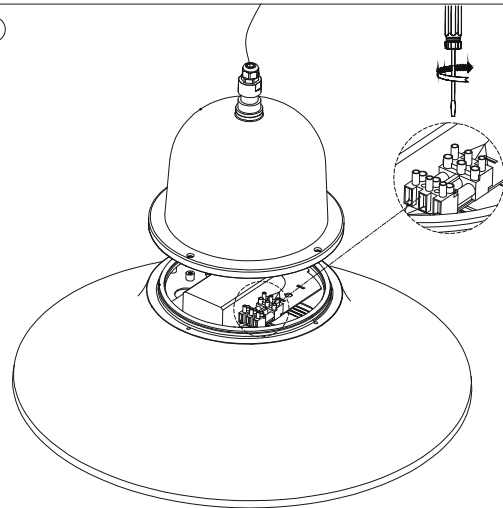
②



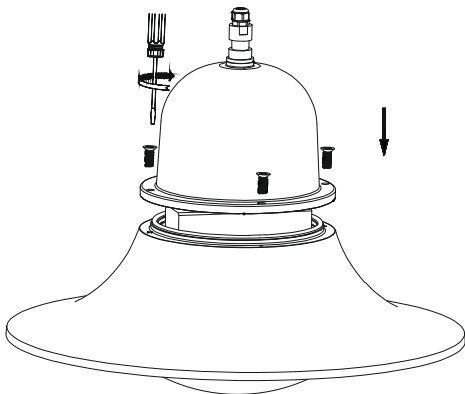
③



④



⑤



⑥

