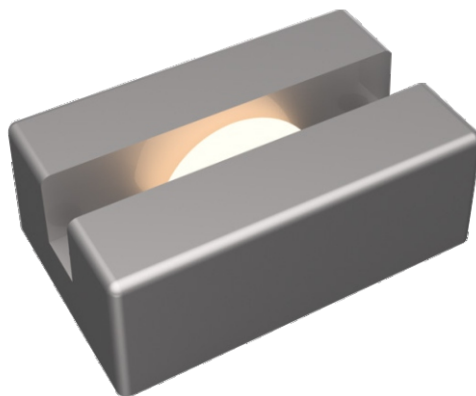


# WIND S

## USER MANUAL



1. The luminaire shall be installed by a qualified electrician and wired in accordance with the latest IEE electrical regulations or the national requirements.
2. No supplied water-proof box, installation should be advised by qualified professional.
3. The external flexible cable can not be replaced. If the cable is damaged, the luminaire should be discarded.

**! Warning:**

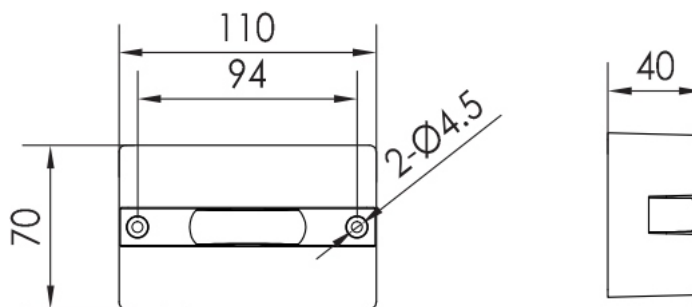
Confirm the correct connection method,  
incorrect connection can lead to improper work,  
and even damage.

If install wrong, it may fall off.

Refer to installation instruction for installing.

**I. Product Introduction :**

- The fixture is LED luminaire.
- Surface/Wall installation method.
- Die-casing Aluminum , engineering Polycarbonate Plastic diffuser,  
Silicone waterproof sealed.
- Ingress protection is IP65.
- Electrical class: Class I





## II. Technical specification :

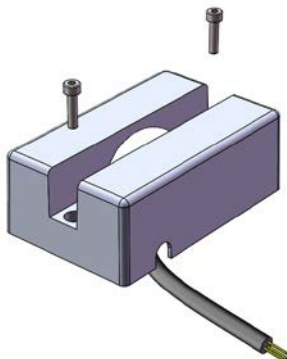
Housing: Pressure die-cast aluminum alloy with polyester powder paint.  
Beam angles: 2x120°  
Housing color: Metallic  
IES protection classes: Class I (SELV)  
Color temperature, K: 2700K - 5700K, AMBER, RGBW  
Input voltage, V: 24V, 220V  
Control system: Switch On\Off, DMX-512  
Ingress Protection Rating, IP: IP66  
Operating temperature: -25°C ~ +50°C  
Guaranteed lifetime, hours: 50 000h

## III. Observe the following dos and don'ts

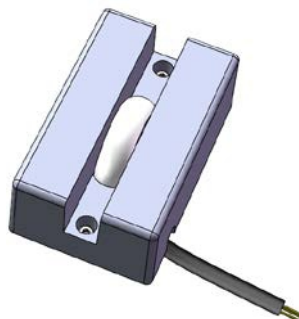
1. Install in the IP 65 environment or beneath the IP65.
2. Prohibit punching any position of lamps
3. Please turn off the power and contact the dealer for problems in connection or other abnormal cases.
4. Installed by the qualified electrician holding a certificate.
5. Prohibit operating the lamps beyond the voltage scope as nation stipulated
6. Don't make the external power cable exposed during wiring.

## IV. Installation Instructions

1. According to step ①, fix the screws on the mounting surface.
2. According to step ②, connect the cable accurately to ensure the regular work.



Step ①



Step ②

### 5. Notes

The fixture must get reliable connection with the mounting surface, any screws in the lamps should not be arbitrarily loosened. There is no special requirement on the installation direction.

### V. Remarks for the cables.

When you get the fixture, please check and find the relative version and confirm its Color Temperature, Electrical class, the cable out.

**Attention:** ■ When you get the fixtures is class III, please use a transformation to light. ■ When you get the RGB DMX512 fixture, please accurately connect the DMX cables, otherwise, it will influence the regular work.

CABLES OUT FOR DIFFERENT COLOR TEMPERATURE AND ELECTRICAL CLASS			
✓ <u>VERSION 1</u>		✗ <u>VERSION 2</u>	
Single Color ✓ WW ✗ CW		✗ RGB (DMX512)	
✓ Class I	L, N, E	Class III	Power cable: 2pin1 V+ /Red wire, V - /Blue wire
Class III ✗ DC36V ✗ DC24V ✗ DC12V	V+ /Red wire - V /Blue wire	✗ DC36V ✗ DC24V ✗ DC12V	DMX IN cable: 3pin1 ■DMX+ Red wire ■DMX- Blue wire ■GND Green wire

**VI.** The fixture is designed and owned by IMG LTD.

**VIII.** IMG LTD has the right to the interpretation of the installation instruct.